

Basic High Power E-H Tuner

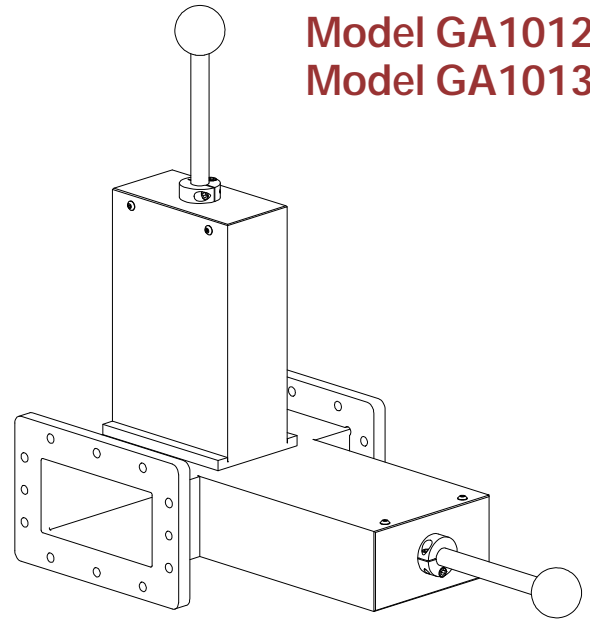
GERLING

GAE's family of basic high power E-H tuners are an economical means for load impedance matching in high power microwave heating systems. These E-H tuners are particularly useful under conditions of combined high power and high VSWR in which conventional stub tuners are more likely to cause voltage breakdown and arcing. The non-contacting sliding plungers of the E-H tuner employ a 1/4-wave choke structure allowing adjustment while under high power operation. The plunger is adjusted using a sliding actuator rod which can be locked in the desired position using a clamping collar. The simple yet rugged design of the E-H tuner makes them ideal for a variety of laboratory, production and OEM applications.

General Specifications:

Waveguide	WR284 (GA1011) WR340 (GA1012) WR430 (GA1013)
Flange	UG1725/U (GA1011) UG554/U (GA1012) UG437B/U (GA1013)
Frequency	2450 MHz +/- 50 MHz
Power (continuous)	3 kW (GA1011) 6 kW (GA1012, GA1013)
Construction	Dip brazed aluminum waveguide, steel adjusting rod
Finish	Chemical conversion coating on waveguide

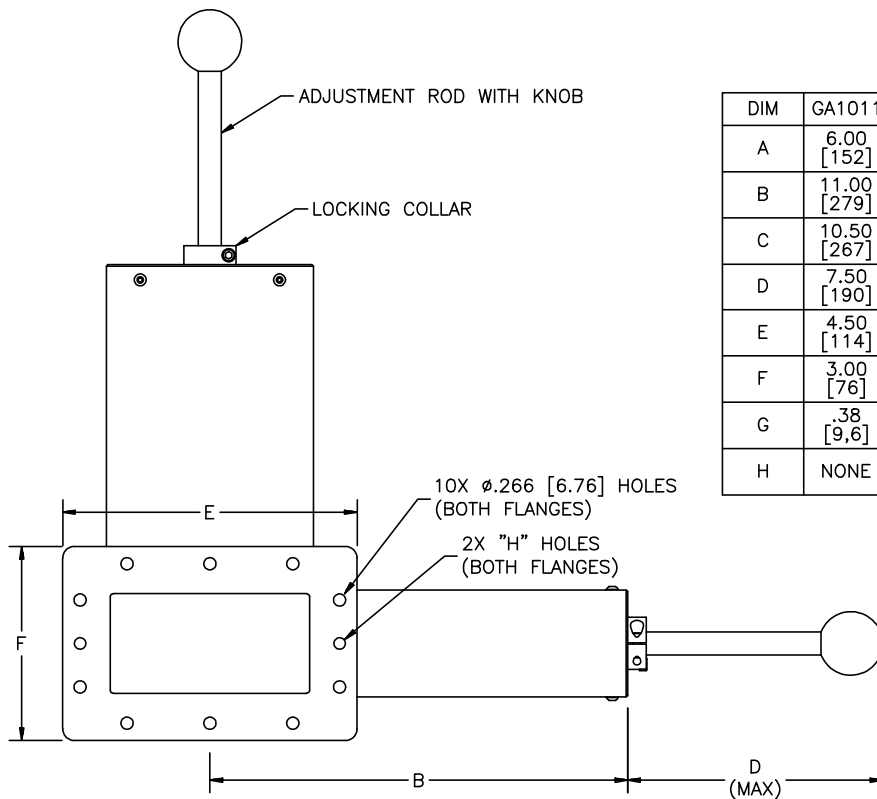
Model GA1011
Model GA1012
Model GA1013



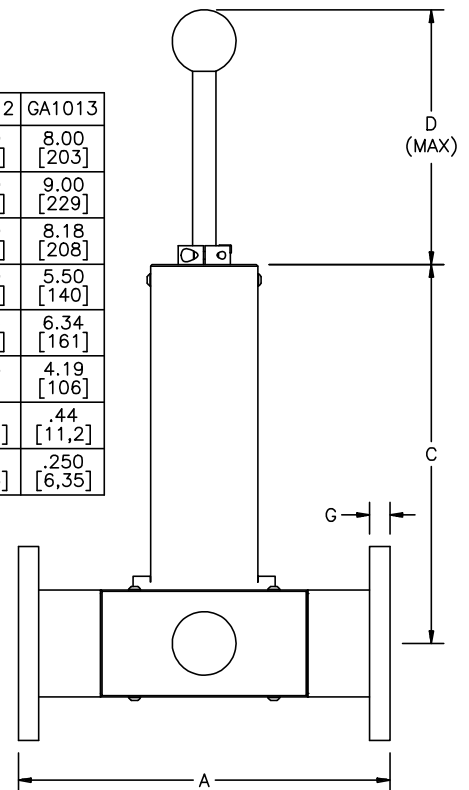
Model GA1013

Options:

- ◆ Heli-Coils or studs on flanges (any combination)
- ◆ Flange interlock switches



DIM	GA1011	GA1012	GA1013
A	6.00 [152]	7.00 [178]	8.00 [203]
B	11.00 [279]	8.50 [216]	9.00 [229]
C	10.50 [267]	7.90 [201]	8.18 [208]
D	7.50 [190]	5.50 [140]	5.50 [140]
E	4.50 [114]	5.44 [138]	6.34 [161]
F	3.00 [76]	3.75 [95]	4.19 [106]
G	.38 [9,6]	.44 [11,2]	.44 [11,2]
H	NONE	.250 [6,35]	.250 [6,35]



**GERLING APPLIED
ENGINEERING, INC.**

© 2005-2007 Gerling Applied Engineering, Inc.
PO Box 580816 • Modesto, CA 95358 • USA
Phone: +1-209-527-8960 • Fax: +1-209-527-5385
E-mail: sales@2450MHz.com • Web: www.2450MHz.com