

# Precision 4-Stub Tuner, 5.8 GHz, WR159

GERLING

**Model GA1019**  
**Model GA1020**

GAE's family of precision multi-stub tuners are designed for load impedance matching in high power microwave heating systems. Their simple yet rugged design makes these tuners ideal for a variety of laboratory, production and OEM applications.

The stubs are effectively spaced at 1/8-guide wavelength intervals (3/8-guide wavelength actual spacing) and offset 1/32-guide wavelength from center. This configuration is capable of tuning a broader range of impedances than standard tuners having no offset.

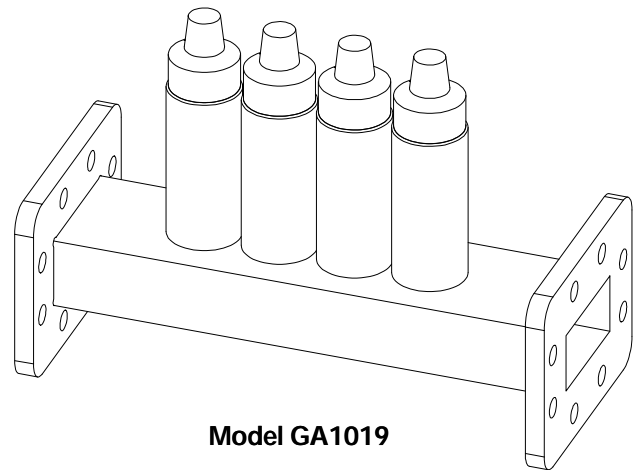
A precision drive mechanism and locking multi-turn dial are provided on each tuning stub enabling highly accurate and repeatable tuning. The stub housings are designed with 1/4-wave reactive chokes allowing use in high "Q" applications. Model GA1020 features GAE's popular Q-D (quick-disconnect) round flange that uses a convenient single screw clamp for waveguide connections.

### General Specifications:

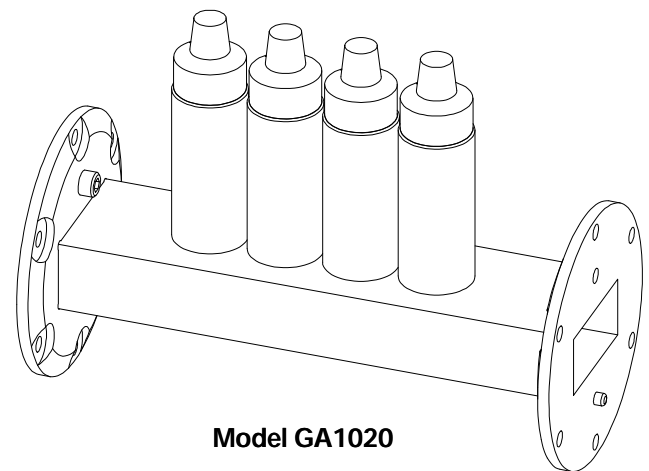
Waveguide	WR159
Flange	GA1019: CPR159F (UG-1731/U) GA1020: Q-D Round (Cover)
Frequency	5.8 GHz +/- 75 MHz
Power (continuous)	1 kW
Impedance Matching	4 stubs with 1/4-wave chokes on 3/8-guide wavelength spacing
Construction	Aluminum waveguide, brass stubs
Finish	Chemical conversion coating; textured black paint

### Options:

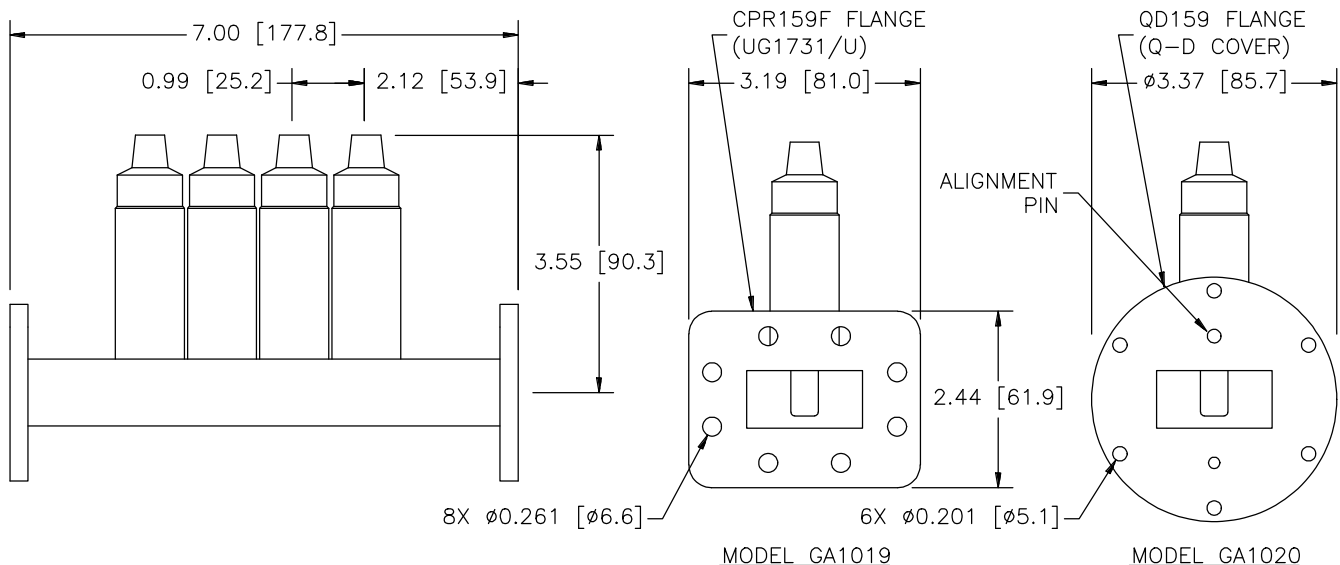
- ◆ Threaded inserts or studs on flanges
- ◆ Alternate flange styles
- ◆ Flange interlock switches
- ◆ Water cooling



**Model GA1019**



**Model GA1020**



**GERLING APPLIED ENGINEERING, INC.**

© 2003 Gerling Applied Engineering, Inc.  
PO Box 580816 • Modesto, CA 95358 • USA  
Phone: +1-209-527-8960 • Fax: +1-209-527-5385  
E-mail: sales@5800MHz.com • Web: www.5800MHz.com