

# MatchBox™ Motorized Single-Stub Tuner

GERLING

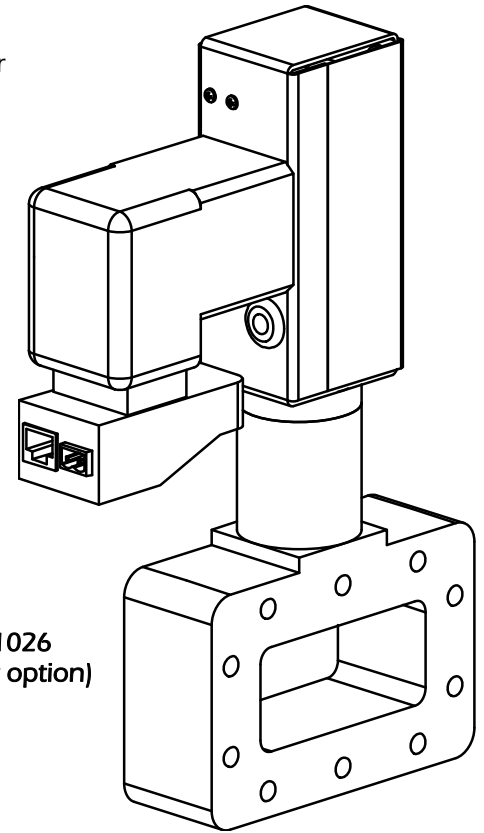
**Model GA1026**  
**Model GA1027**  
**Model GA1028**

The MatchBox™ Motorized Single-Stub Tuner is designed for OEM applications that require remote control of a single waveguide stub for impedance matching or power reflecting applications. Full control over the stub position is enabled via USB interface to the customer's remote computer or process control system. The stub is operated by a high speed micro-stepper motor capable of moving the stub through its full length of travel within 100 ms or less.

The single stub tuner is intended primarily for either of two unique functions. For certain processes, impedance matching can be accomplished using a single tuning stub once the optimal stub location has been determined during process development. In other processes, such as in variable attenuation, microwave power can be intentionally reflected by controlling the depth of insertion. Contact GAE for additional information and advice regarding these functions.

**Preliminary Specifications:**

Waveguide	GA1026: WR284 GA1027: WR340 GA1028: WR430
Flange	Flat CPR (rectangular) with 1/4-20 UNC tapped holes
Frequency	2450 MHz +/- 50 MHz
Power (continuous)	GA1026: 3 kW GA1027: 6 kW GA1028: 10 kW
Stub Design	Non-contacting 1/4-wave choke
Response Time	<100 ms total
Control Interface	USB, mini-B to A connector
Input Power	24 VDC, 2 Amps max



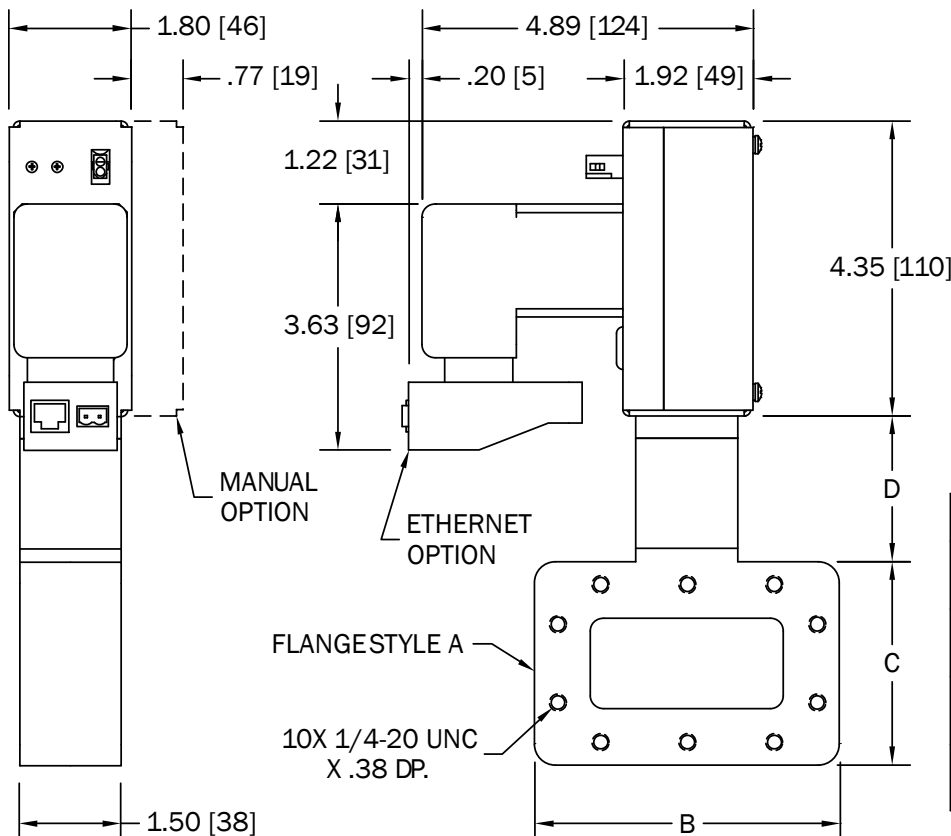
**Model GA1026**  
**(with Ethernet option)**

**Options:**

- ◆ Ethernet interface
- ◆ Manual adjustment
- ◆ Studs on flanges

**Accessories:**

- ◆ Flange Shim Set (GA8411, GA8412, GA8413)



DIM	GA1026	GA1027	GA1028
A	CPR284	CPR340	CPR430
B	4.50 [114]	5.44 [138]	6.34 [161]
C	3.00 [76]	3.75 [95]	4.19 [106]
D	2.15 [55]	1.95 [50]	1.95 [50]



GERLING APPLIED  
ENGINEERING, INC.

All dimensions are in inches [millimeters].

© 2012-2013 Gerling Applied Engineering, Inc.  
 PO Box 580816 • Modesto, CA 95358 • USA  
 Phone: +1-209-527-8960 • Fax: +1-209-527-5385  
 E-mail: sales@2450MHz.com • Web: www.2450MHz.com

Updated 11APR13