

Precision 3-Stub Tuner, 915 MHz, EIA 1-5/8 Coax

GERLING

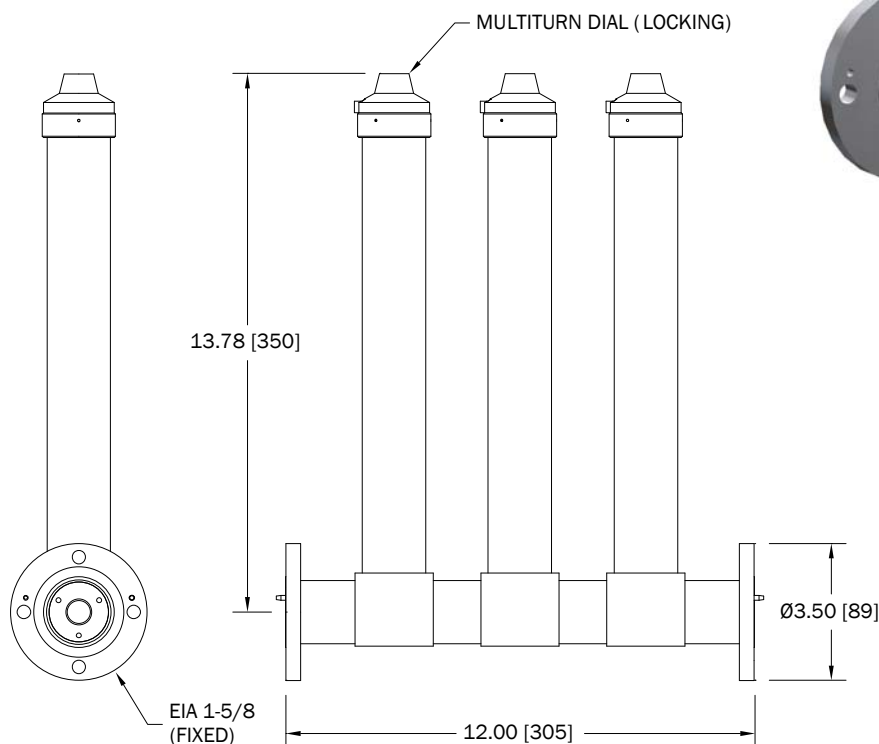
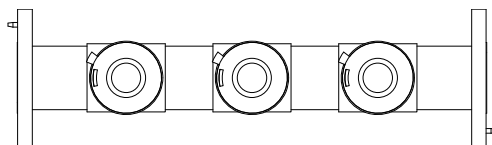
Model GA1031

The GA1031 Precision 3-Stub Tuner is a part of GAE's line of compact and light weight 915 MHz components designed for high power microwave heating applications. As a coaxial transmission line tuner, the GA1031 is ideal for load impedance matching in laboratory research and production process systems where traditional waveguide components are unsuitable due to their size and weight.

The stubs are spaced at 1/4 wavelength intervals to provide impedance matching over a broad range of mismatch conditions. A precision screw drive mechanism is provided on each tuning stub enabling highly accurate and repeatable tuning. The stub housings are designed with 1/4-wave reactive chokes allowing use in high power applications.

General Specifications:

Frequency	915 MHz +/- 15 MHz
Input Power	5 kW max.
Flange	EIA 1-5/8 coax (fixed)
Impedance	50 Ohm (nominal)
Impedance Matching	3 stubs with 1/4-wave chokes on 1/4 wavelength spacing
Construction	Aluminum outer conductor and flanges, copper center conductor
Finish	Chemical conversion coating



GERLING APPLIED
ENGINEERING, INC.

© 2014 Gerling Applied Engineering, Inc.
PO Box 580816 • Modesto, CA 95358 • USA
Phone: +1-209-527-8960 • Fax: +1-209-527-5385
E-mail: sales@915MHz.net • Web: www.915MHz.net