

# 3-Port Circulator, 5.8 GHz, CPR159

GERLING

## Model GA1108

The model GA1108 3-port circulator is designed for high power industrial heating applications requiring high reliability and rugged construction. These circulators are most often used with dummy loads (such as model GA1221) in an isolator configuration for magnetron protection, but they are also useful in other configurations such as for constant frequency delivery of variable power (see GAE Application Bulletin # 960008).

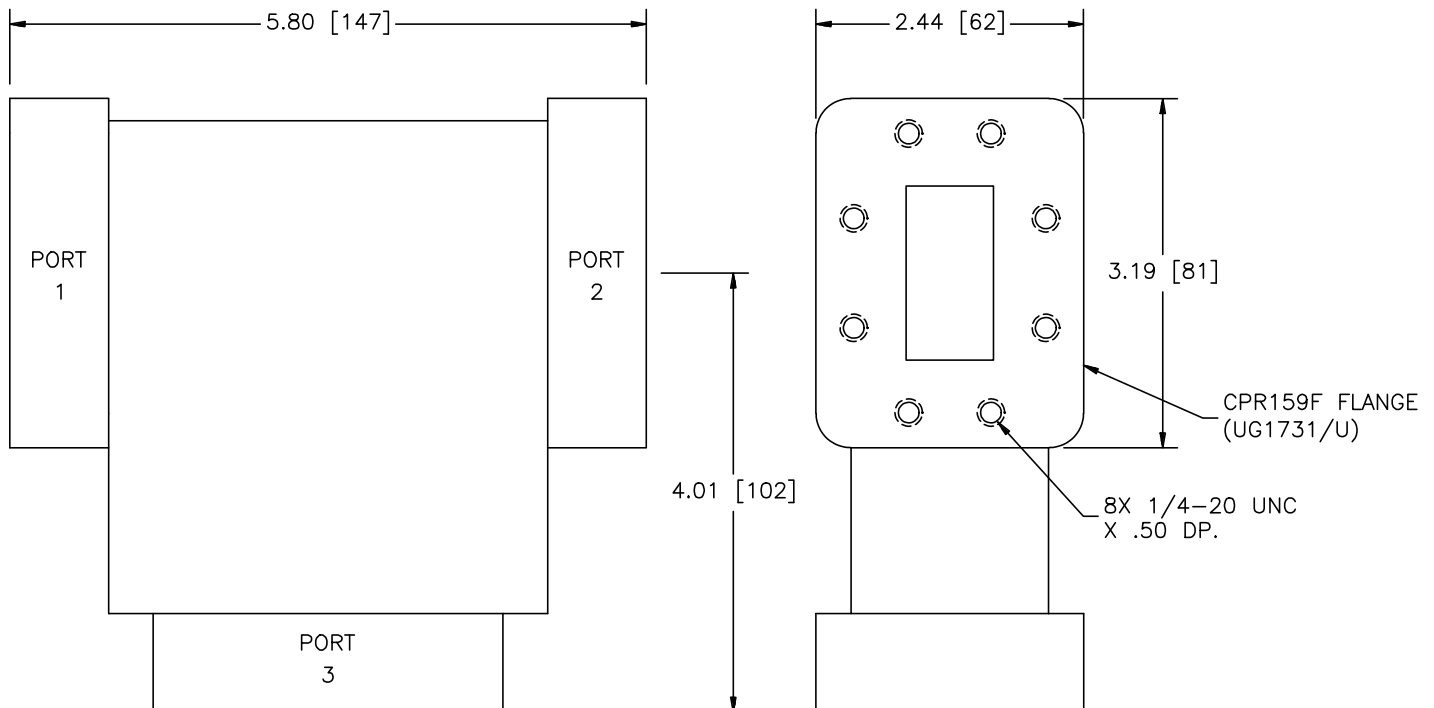
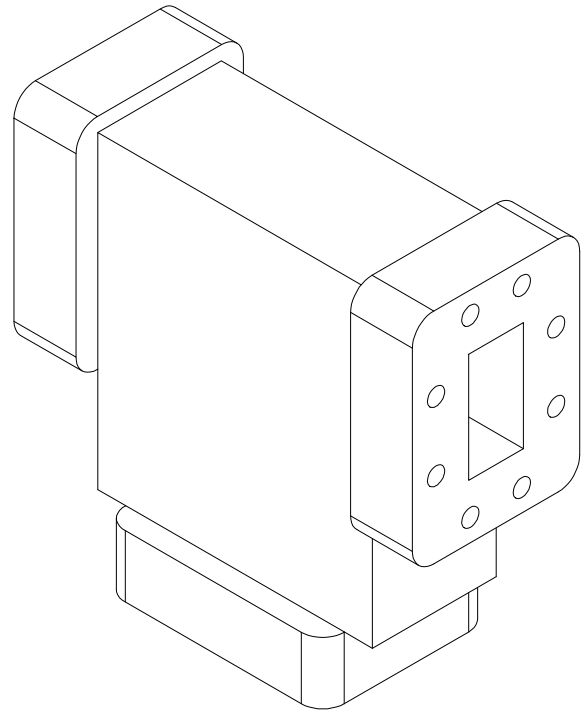
Construction of the GA1108 is primarily dip brazed aluminum waveguide. Flange adapters are mounted to each port to accommodate the desired flange style. The standard flange style is CPR-F (flat face) while CMR and quick-disconnect ("Q-D") cover flange styles are also available.

### General Specifications:

Frequency	5.8 GHz nominal
Input Power	700W continuous max. (fwd and rev)
Waveguide	WR159
Input Flange	CPR159F (UG1731/U)
Input VSWR	1.1 max. (Port 1)
Insertion Loss	0.15 dB max. (Port 1 to Port 2)
Isolation	20 dB min. (Port 2 to Port 1)
Construction	Aluminum
Finish	Chemical conversion coating; textured black paint
Weight	4 lbs (1.8 kgm)

### Options:

- ◆ Studs on flanges
- ◆ Alternate flange styles



GERLING

GERLING APPLIED  
ENGINEERING, INC.

© 2003 Gerling Applied Engineering, Inc.  
PO Box 580816 • Modesto, CA 95358 • USA  
Phone: +1-209-527-8960 • Fax: +1-209-527-5385  
E-mail: sales@5800MHz.com • Web: www.5800MHz.com