

2-Port Isolator, 15kW, WR430

GERLING

Model GA1110

The model GA1110 2-port isolator is designed for high power industrial heating applications requiring high reliability and rugged construction. This isolator is most often used for protecting magnetrons from the damaging effects of reverse microwave power. It is designed for 15kW continuous forward microwave power and will withstand a full reflection under continuous duty. A calibrated coupler port is provided for monitoring and reverse power entering port 2.

Construction of the GA1110 is all aluminum waveguide. Reverse power is absorbed directly into water flowing through internal microwave transparent channels. All other water lines and fittings are copper or stainless steel to minimize corrosion due to harsh cooling water supplies.

General Specifications:

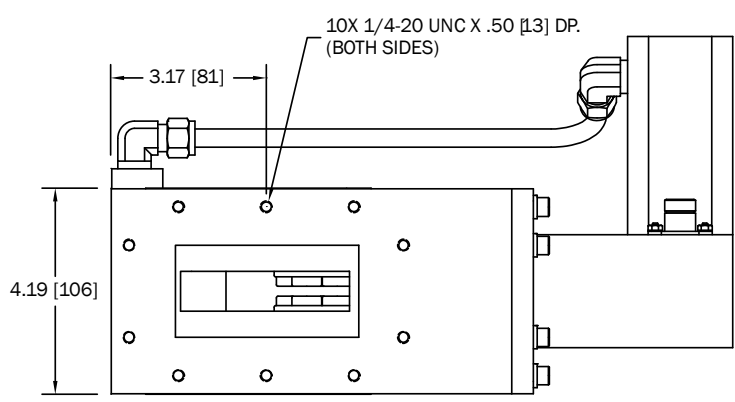
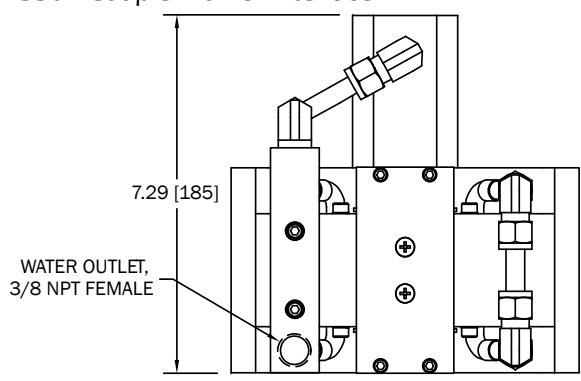
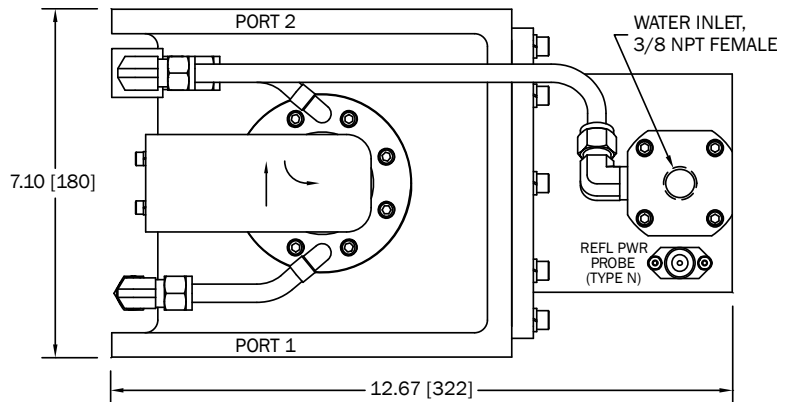
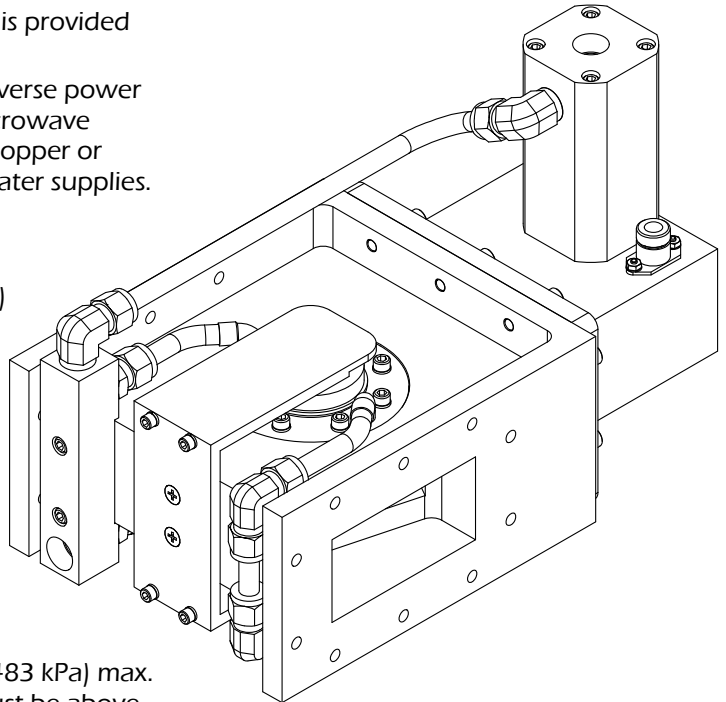
Frequency	2450 MHz nominal
Input Power	15 kW continuous max. (fwd and rev)
Waveguide	WR430 (RG105/U)
Flanges	CPR430 (UG1711/U) with 1/4-20 UNC tapped holes
Input VSWR	1.2 max. (Port 1)
Insertion Loss	0.20 dB max. (Port 1 to Port 2)
Isolation	20 dB min. (Port 2 to Port 1)
Coupler Probe	Type N female
Coupler Calibration	60 +/- 1 dB
Water Connections	3/8 NPT female threads
Water Flow	2.0 gpm (3.8 lpm) nominal, 70 psig (483 kPa) max. inlet pressure, 10-40°C inlet temp (must be above dew point), 50°C max. outlet temp
Construction	Aluminum body, brass water connections
Finish	Waveguide: Clear alodine Copper/Brass: Nickel plating
Weight	21 lbs (9.5 kgm)

Options:

- ◆ Flange interlock switch (any flange)
- ◆ Flange mounting studs
- ◆ Alternate probe coupling factor

Accessories:

- ◆ GA3213 Digital Power Meter Set
- ◆ GA3301 Coupler Power Interface



GERLING APPLIED ENGINEERING, INC.

© 2010-2014 Gerling Applied Engineering, Inc.
 PO Box 580816 • Modesto, CA 95358 • USA
 Phone: +1-209-527-8960 • Fax: +1-209-527-5385
 E-mail: sales@2450MHz.com • Web: www.2450MHz.com

All dimensions are in inches [millimeters].

Updated 25JUN14