

3-Port Circulator, 3kW, CPR284

GERLING

Model GA1112

The model GA1112 is a waveguide 3-port circulator designed for high power industrial heating applications requiring high reliability and rugged construction. These circulators are most often used with dummy loads in an isolator configuration for magnetron protection, but they are also useful for other purposes in conjunction with devices such as phase shifters and variable attenuators.

Construction of the GA1112 is all aluminum waveguide. Corrosion due to harsh cooling water supplies is minimized using all copper water lines and brass fittings.

General Specifications:

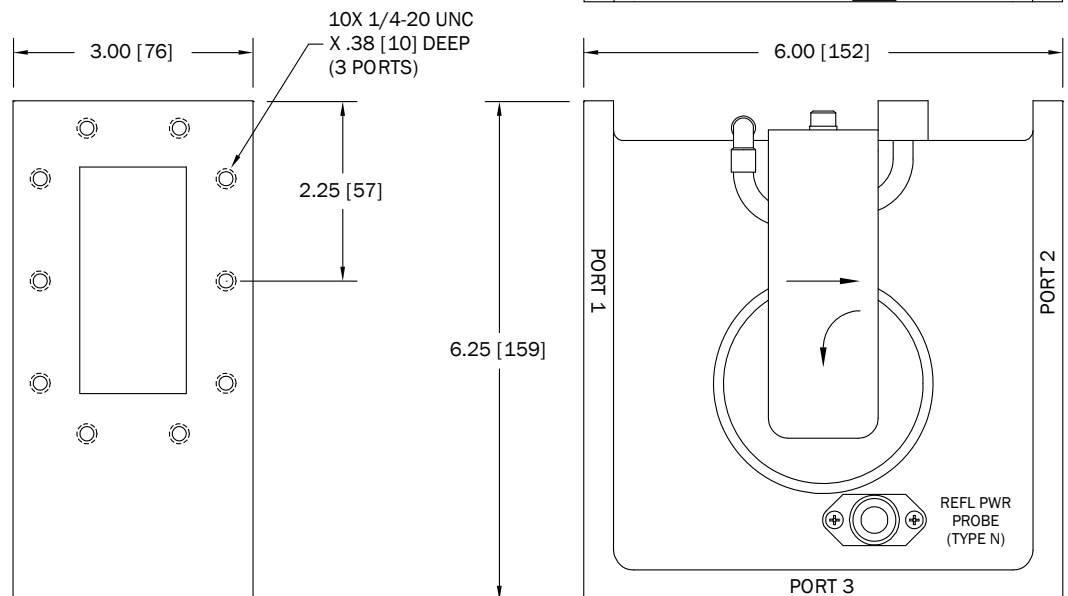
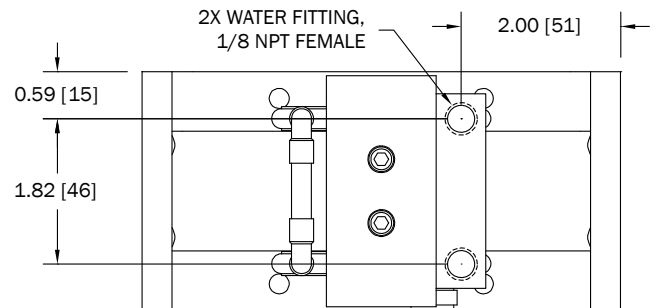
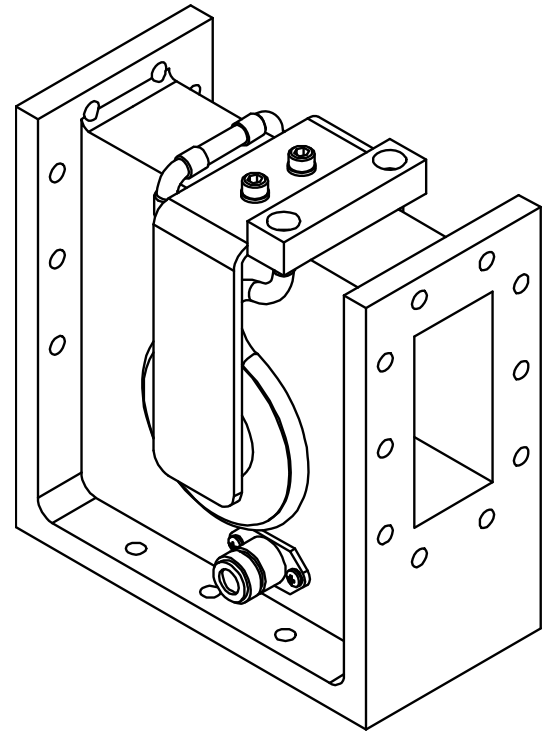
| | |
|---------------------|--|
| Frequency | 2450 MHz nominal |
| Input Power | 3 kW continuous max. (fwd and rev) |
| Waveguide | WR284 (RG75/U) |
| Flanges | CPR284 (UG1725/U) with 1/4-20 UNC tapped holes |
| Input VSWR | 1.1 max. (Port 1) |
| Insertion Loss | 0.15 dB max. (Port 1 to Port 2) |
| Isolation | 20 dB min. (Port 2 to Port 1) |
| Coupler Probe | Type N female (GA1112-1 only) |
| Coupler Calibration | 50 +/- 1 dB (GA1112-1 only) |
| Water Connections | 1/8 NPT female threads |
| Water Flow | 0.5 gpm min., 70 psi max. inlet pressure, 50°C max. inlet temp |
| Construction | Dip brazed aluminum, brass water connections |
| Finish | Clear chemical film |

Options:

- ◆ Flange interlock switches (any flange)
- ◆ Flange mounting studs
- ◆ Reflected power coupler probe

Accessories:

- ◆ Analog or digital power meter set
- ◆ GA3301 Coupler Power Interface



GERLING APPLIED
ENGINEERING, INC.

© 2007-2012 Gerling Applied Engineering, Inc.
PO Box 580816 • Modesto, CA 95358 • USA
Phone: +1-209-527-8960 • Fax: +1-209-527-5385
E-mail: sales@2450MHz.com • Web: www.2450MHz.com