

3-Port Circulator, WR430, 15kW



Model GA1113

The model GA1113 is a waveguide 3-port circulator designed for high power industrial heating applications requiring high reliability and rugged construction. These circulators are most often used with dummy loads in an isolator configuration for magnetron protection, but they are also useful for other purposes in conjunction with devices such as phase shifters and variable attenuators.

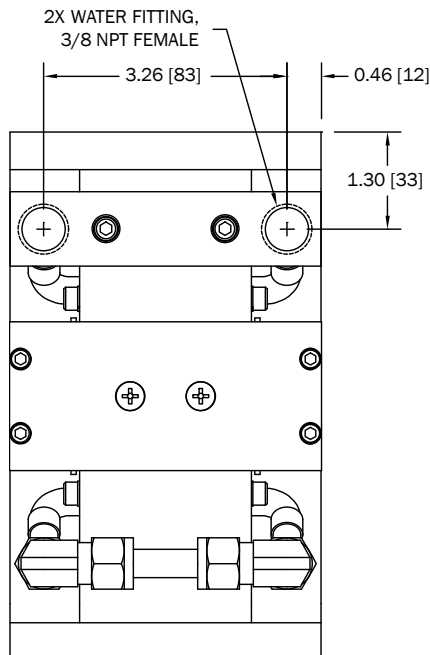
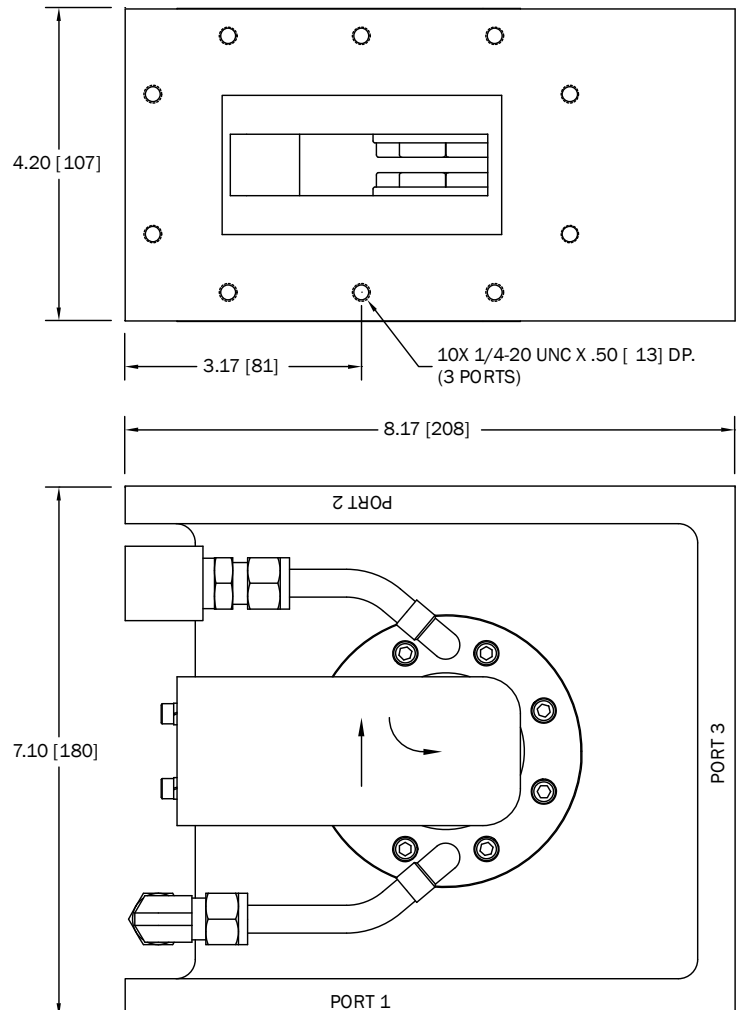
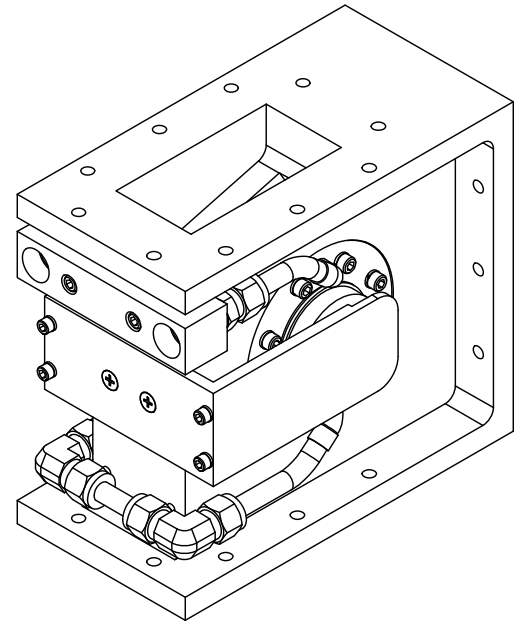
Construction of the GA1113 is all aluminum waveguide. Corrosion due to harsh cooling water supplies is minimized using all copper water lines and brass fittings.

General Specifications:

Frequency	2450 MHz nominal
Input Power	15 kW continuous max. (fwd and rev)
Waveguide	WR430 (RG105/U)
Flanges	WR430 (UG1711/U) with M6 tapped holes
Input VSWR	1.2 max. (Port 1)
Insertion Loss	0.20 dB max. (Port 1 to Port 2)
Isolation	20 dB min. (Port 2 to Port 1)
Water Connections	3/8 NPT female threads
Water Flow	1.0 gpm (3.8 lpm) min., 125 psi max. inlet pressure, 50° C max. inlet temp
Construction	Aluminum body, brass water connections
Finish	Waveguide: Clear chemical film Copper/brass/steel: Nickel plate

Options:

- ◆ Flange interlock switch (any flange)
- ◆ Flange mounting studs



GERLING APPLIED
ENGINEERING, INC.

© 2013 Gerling Applied Engineering, Inc.
PO Box 580816 • Modesto, CA 95358 • USA
Phone: +1-209-527-8960 • Fax: +1-209-527-5385
E-mail: sales@2450MHz.com • Web: www.2450MHz.com