

# 3-Port Circulator, WR340

GERLING

## Model GA1115

The model GA1115 is a waveguide 3-port circulator designed for high power industrial heating applications requiring high reliability and rugged construction. These circulators are most often used with dummy loads in an isolator configuration for magnetron protection, but they are also useful for other purposes in conjunction with devices such as phase shifters and variable attenuators.

Construction of the GA1115 is all aluminum waveguide. Corrosion due to harsh cooling water supplies is minimized using all copper water lines and brass fittings.

### General Specifications:

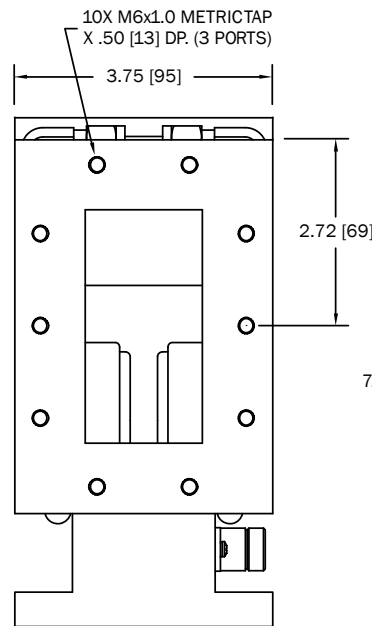
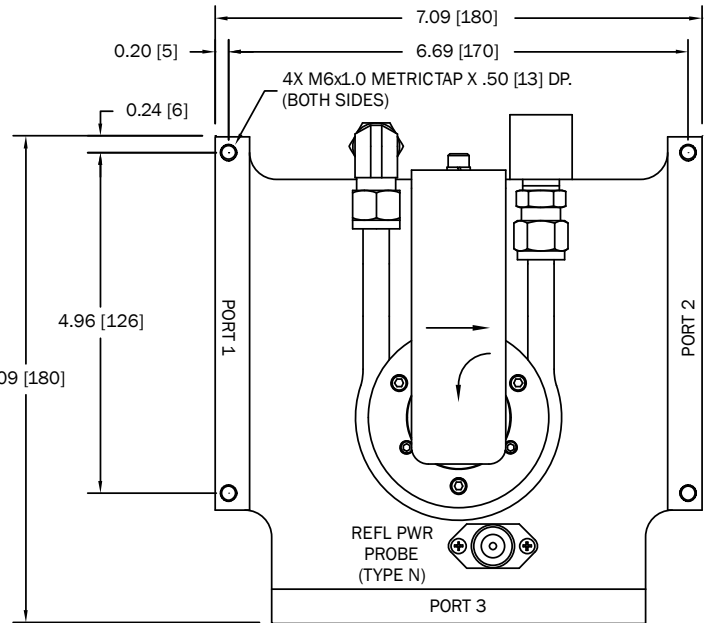
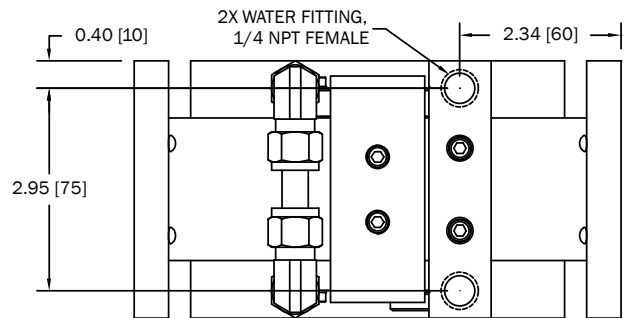
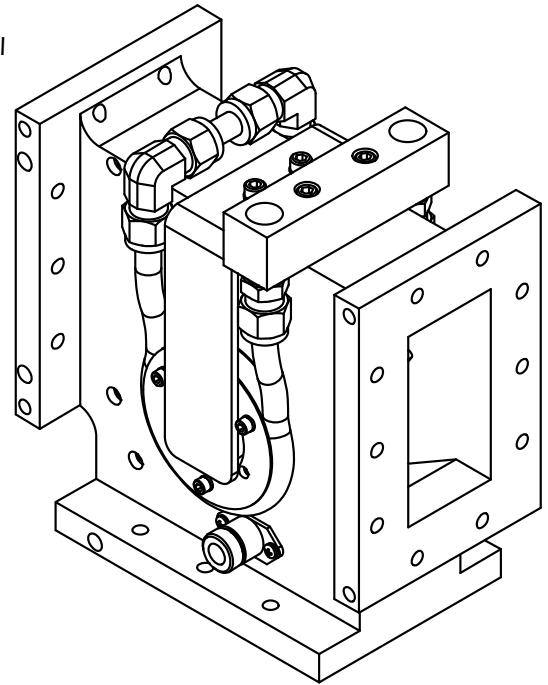
Frequency	2450 MHz nominal
Input Power	6 kW continuous max. (fwd and rev)
Waveguide	WR340 (RG113/U)
Flanges	WR340 (UG1713/U) with M6 tapped holes
Input VSWR	1.2 max. (Port 1)
Insertion Loss	0.20 dB max. (Port 1 to Port 2)
Isolation	20 dB min. (Port 2 to Port 1)
Coupler Probe	Type N female (optional)
Coupler Calibration	50 +/- 1 dB
Water Connections	1/4 NPT female threads
Water Flow	0.5 gpm min., 125 psi max. inlet pressure, 50°C max. inlet temp
Construction	Aluminum body, brass water connections
Finish	Clear chemical film, black paint

### Options:

- ◆ Flange interlock switch (any flange)
- ◆ Flange mounting studs
- ◆ Coupler probes (see table)

### Accessories:

- ◆ GA3208/9 Power Meter Set
- ◆ GA3301 Coupler Power Interface



MODEL NUMBERTABLE	
MODEL NO.	DESCRIPTION
GA1115	WITHOUT COUPLER PROBE
GA1115-1	WITH REFL POWER PROBE



GERLING APPLIED ENGINEERING, INC.

© 2010-2013 Gerling Applied Engineering, Inc.  
 PO Box 580816 • Modesto, CA 95358 • USA  
 Phone: +1-209-527-8960 • Fax: +1-209-527-5385  
 E-mail: sales@2450MHz.com • Web: www.2450MHz.com