

## 2-Port Isolator, 6kW, WR340

GERLING

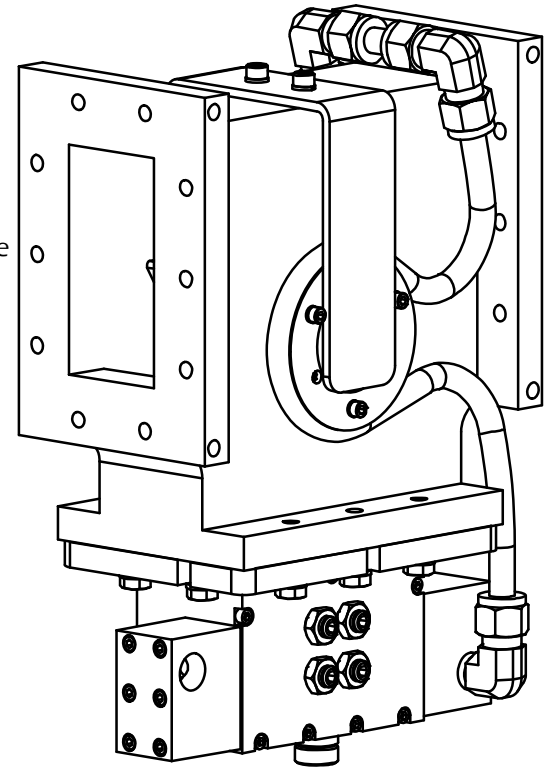
### Model GA1116A

The model GA1116 2-port isolator is designed for high power industrial heating applications requiring high reliability and rugged construction. This isolator is most often used for protecting magnetrons from the damaging effects of reverse microwave power. It is designed for continuous forward microwave power and will withstand a full reflection under continuous duty. A calibrated coupler port is provided for monitoring reverse power entering port 2.

Construction of the GA1116 is all aluminum waveguide. Reverse power is absorbed directly into water flowing through internal quartz tubes. All other water lines and fittings are copper or brass to minimize corrosion due to harsh cooling water supplies.

#### General Specifications:

Frequency	2450 MHz nominal
Input Power	6 kW continuous max. (fwd and rev)
Waveguide	WR340 (RG113/U)
Flanges	WR340 (UG1713/U) with M6 tapped holes
Input VSWR	1.2 max. (Port 1)
Insertion Loss	0.20 dB max. (Port 1 to Port 2)
Isolation	20 dB min. (Port 2 to Port 1)
Coupler Probe	Type N female
Coupler Calibration	60 +/- 1 dB
Water Connections	1/4 NPT female threads
Water Flow	145 psig (1 MPa) max. inlet pressure, 10-35°C inlet temp (must be above dew point), 50°C max. outlet temp (see chart for minimum flow rates)
Construction	Aluminum body, brass water connections
Finish	Waveguide: Clear conversion coating Copper/Brass: Nickel plating

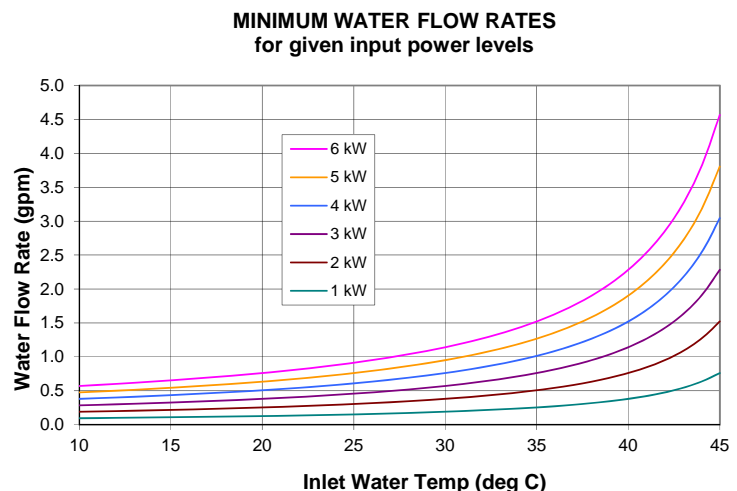
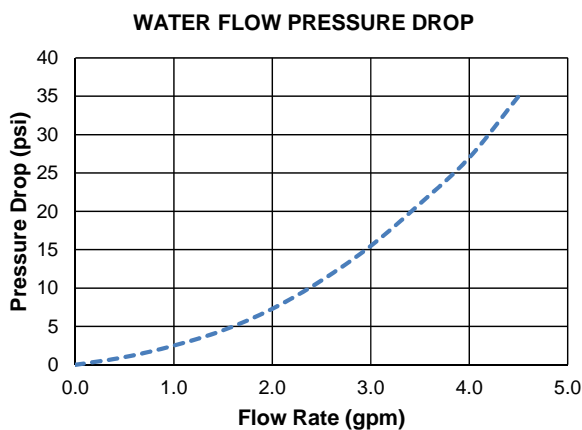


#### Options:

- ◆ Flange interlock switch (any flange)
- ◆ Flange mounting studs
- ◆ Alternate probe coupling factor

#### Accessories:

- ◆ GA3213 Digital Power Meter Set
- ◆ GA3301 Coupler Power Interface



# 2-Port Isolator, 6kW, WR340

GERLING

## Model GA1116A

