

High Power Variable Attenuator, 3kW, CPR284

GERLING

Model GA1117

Model GA1117 is a waveguide variable attenuator designed for high power industrial heating applications. High power variable attenuators are useful where process stability is compromised by inherent operating characteristics and limitations of commercially available microwave generators. Process performance can be enhanced by allowing the microwave generator to remain in a steady state operating condition while using the variable attenuator to control microwave power delivered to the process load.

The GA1117 is a hybrid variable attenuator consisting of a 3-port circulator, adjustable tuning stub and dummy load. Generated microwave power entering port 1 is initially delivered to the dummy load. Adjusting the tuning stub into the waveguide causes a percentage of power to be reflected back to the circulator where it is then directed out port 2 and to the process load.

Construction of the GA1117 is all aluminum waveguide. Corrosion due to harsh cooling water supplies is minimized using all copper water lines and brass fittings.

General Specifications:

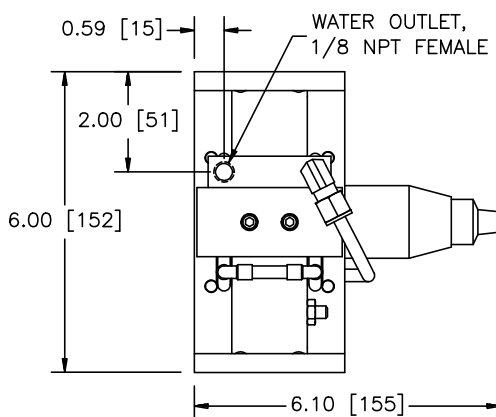
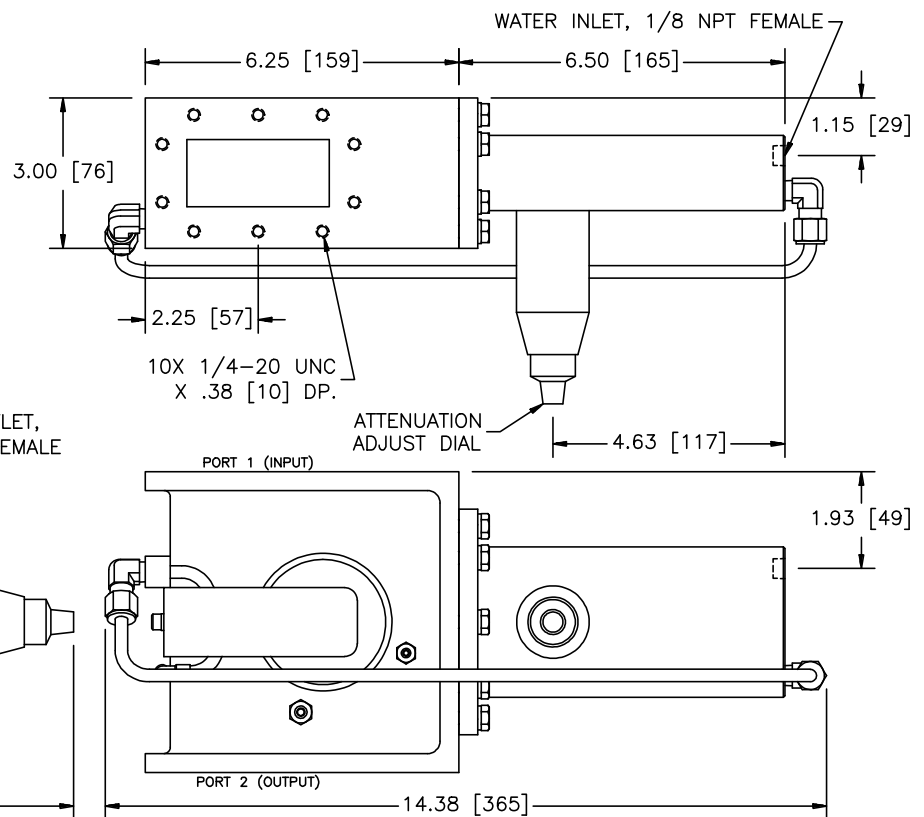
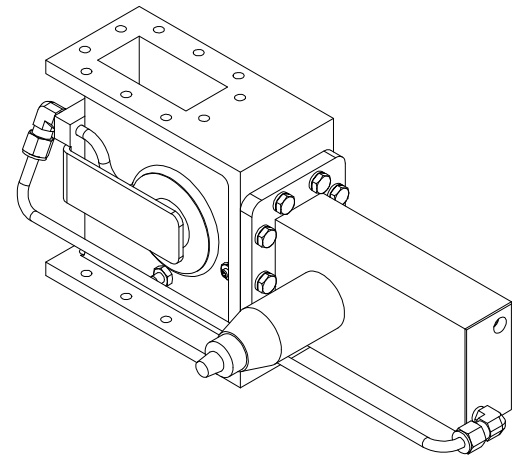
Frequency	2450 MHz nominal
Input Power	3 kW continuous max.
Waveguide	WR284 (RG75/U)
Flanges	CPR284 (UG1725/U) with 1/4-20 UNC tapped holes
Input VSWR	1.1 max. (Port 1)
Attenuation	20-99%
Water Connections	1/8 NPT female threads
Water Flow	0.5 gpm min., 70 psi max. inlet pressure, 50°C max. inlet temp
Construction	Dip brazed aluminum, brass water connections
Finish	Clear chemical film

Options:

- ◆ Flange interlock switches (either flange)
- ◆ Flange mounting studs

Accessories:

- ◆ GA2403 Flange Adapter (Q-D style)



GERLING APPLIED
ENGINEERING, INC.

© 2010 Gerling Applied Engineering, Inc.
PO Box 580816 • Modesto, CA 95358 • USA
Phone: +1-209-527-8960 • Fax: +1-209-527-5385
E-mail: sales@2450MHz.com • Web: www.2450MHz.com