

3-Port Circulator, WR340, 10kW

GERLING

Model GA1119

The model GA1119 is a waveguide 3-port circulator designed for high power industrial heating applications requiring high reliability and rugged construction. These circulators are most often used with dummy loads in an isolator configuration for magnetron protection, but they are also useful for other purposes in conjunction with devices such as phase shifters and variable attenuators.

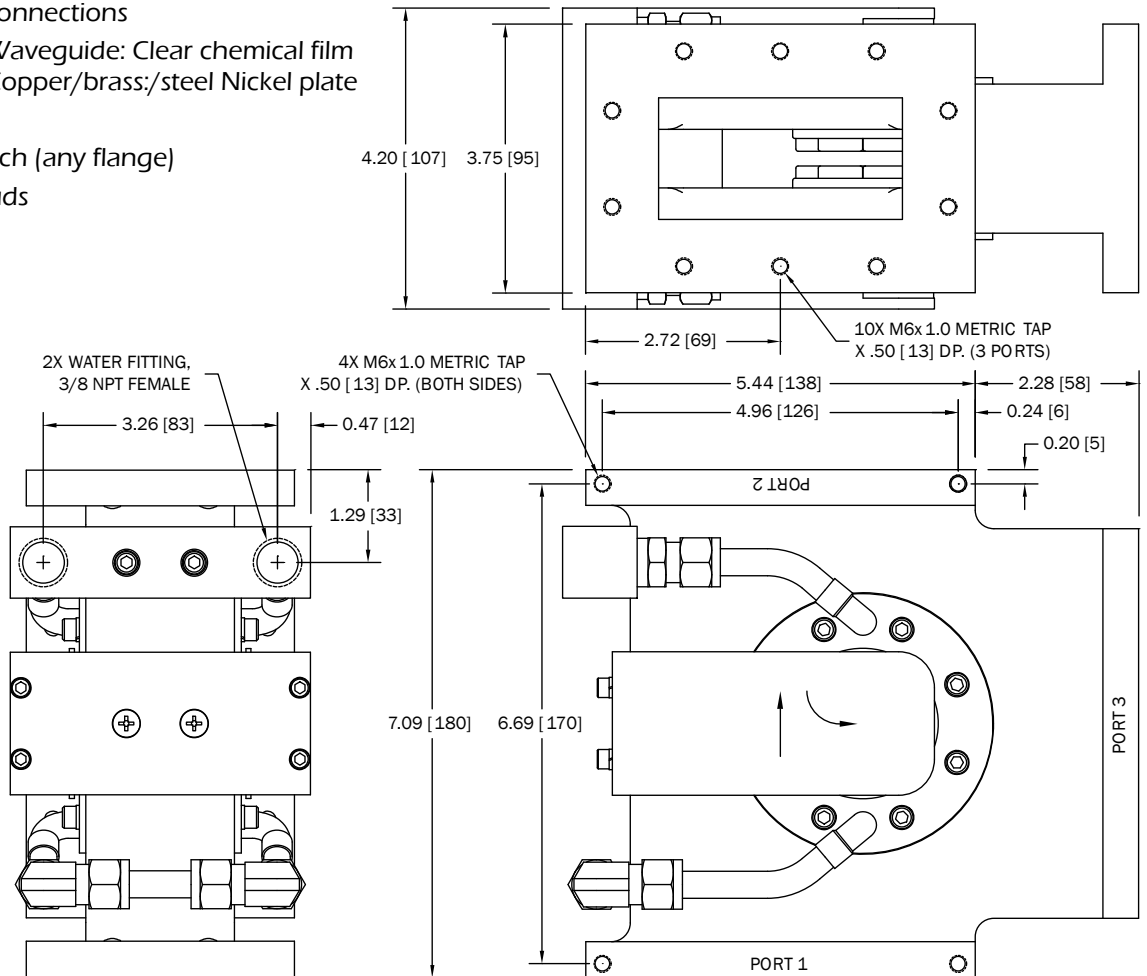
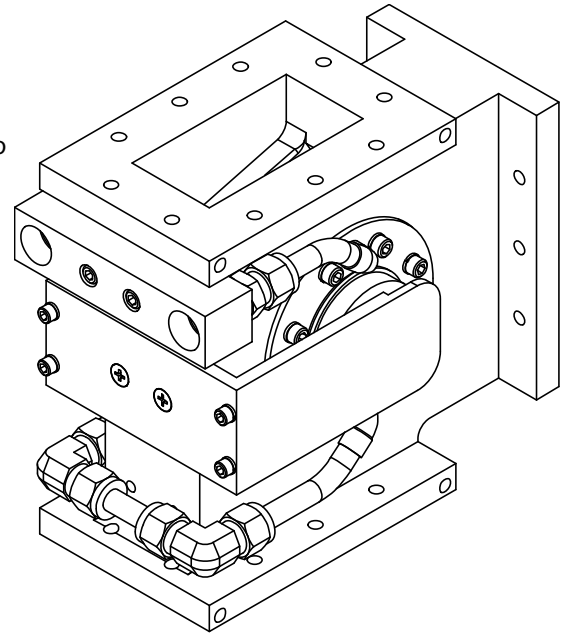
Construction of the GA1119 is all aluminum waveguide. Corrosion due to harsh cooling water supplies is minimized using all copper water lines and brass fittings.

General Specifications:

Frequency	2450 MHz nominal
Input Power	10 kW continuous max. (fwd and rev)
Waveguide	WR340 (RG113/U)
Flanges	WR340 (UG1713/U) with M6 tapped holes
Input VSWR	1.2 max. (Port 1)
Insertion Loss	0.20 dB max. (Port 1 to Port 2)
Isolation	20 dB min. (Port 2 to Port 1)
Water Connections	3/8 NPT female threads
Water Flow	0.5 gpm min., 125 psi max. inlet pressure, 50°C max. inlet temp
Construction	Aluminum body, brass water connections
Finish	Waveguide: Clear chemical film Copper/brass/steel Nickel plate

Options:

- ◆ Flange interlock switch (any flange)
- ◆ Flange mounting studs



GERLING APPLIED
ENGINEERING, INC.

© 2013 Gerling Applied Engineering, Inc.
PO Box 580816 • Modesto, CA 95358 • USA
Phone: +1-209-527-8960 • Fax: +1-209-527-5385
E-mail: sales@2450MHz.com • Web: www.2450MHz.com