

3-Port Circulator, 1.2kW, CPR284

GERLING

Model GA1121

The model GA1121 is a waveguide 3-port circulator designed for high power industrial heating applications requiring high reliability and rugged construction. These circulators are most often used with dummy loads in an isolator configuration for magnetron protection, but they are also useful for other purposes in conjunction with devices such as phase shifters and variable attenuators.

Construction of the GA1121 is all aluminum waveguide with a chromate conversion coating.

General Specifications:

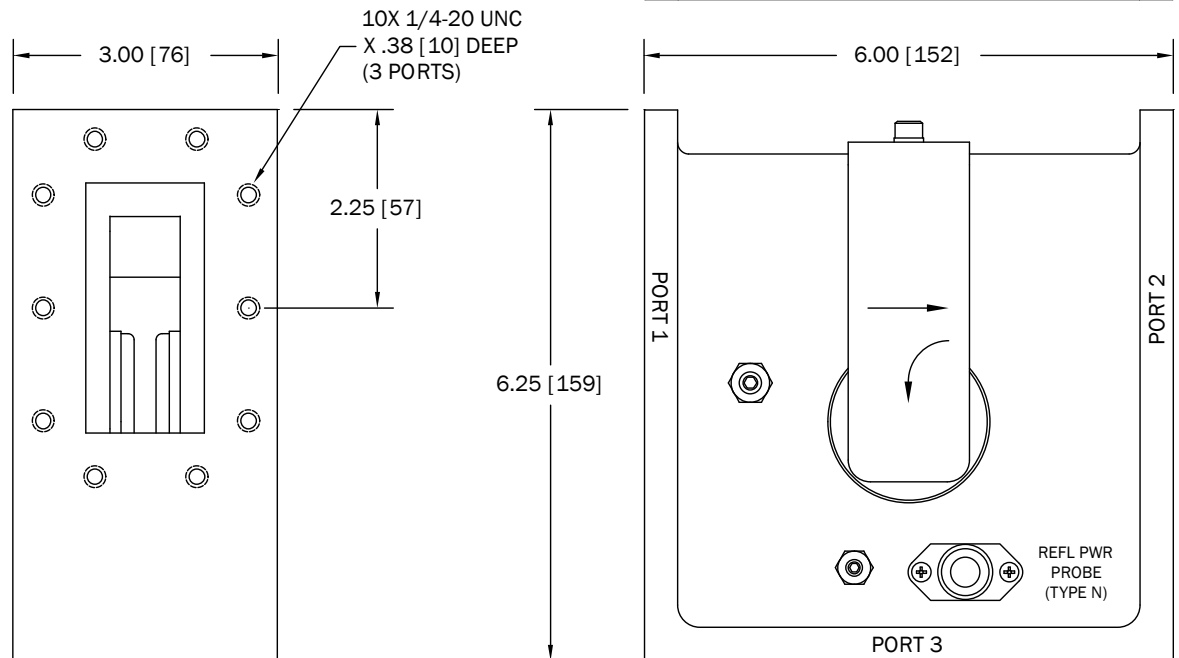
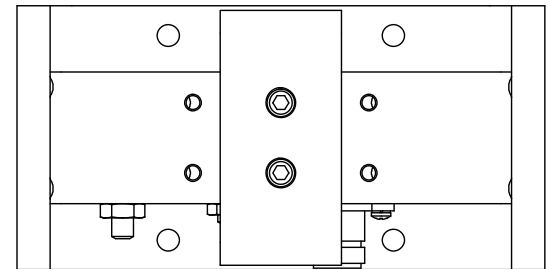
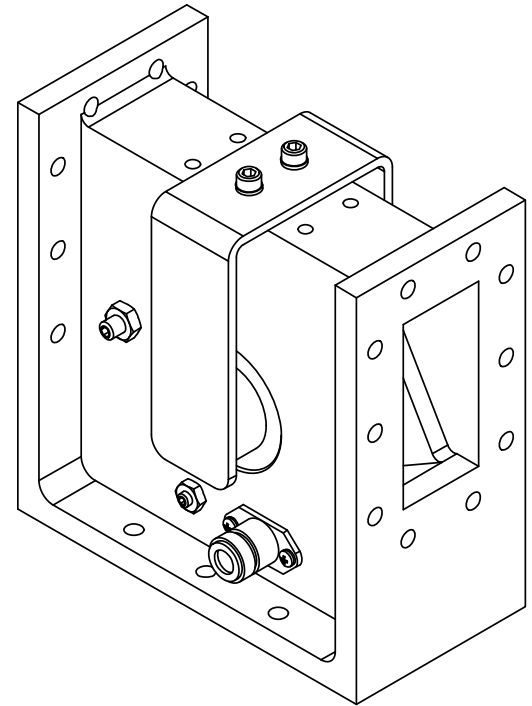
Frequency	2450 MHz nominal
Input Power	1.2 kW continuous max. (fwd and rev)
Waveguide	WR284 (RG75/U)
Flanges	CPR284 (UG1725/U) with 1/4-20 UNC tapped holes
Input VSWR	1.1 max. (Port 1)
Insertion Loss	0.15 dB max. (Port 1 to Port 2)
Isolation	20 dB min. (Port 2 to Port 1)
Coupler Probe	Type N female (GA1121-1 only)
Coupler Calibration	50 +/- 1 dB (GA1121-1 only)
Construction	Aluminum waveguide, chromate finish
Finish	Clear chemical film

Options:

- ◆ Flange interlock switches (any flange)
- ◆ Flange mounting studs
- ◆ Reflected power coupler probe

Accessories:

- ◆ Analog or digital power meter set
- ◆ GA3301 Coupler Power Interface



GERLING APPLIED
ENGINEERING, INC.

© 2013-2015 Gerling Applied Engineering, Inc.
PO Box 580816 • Modesto, CA 95358 • USA
Phone: +1-209-527-8960 • Fax: +1-209-527-5385
E-mail: sales@2450MHz.com • Web: www.2450MHz.com