

# 3-Port Circulator, 915 MHz, 5kW, EIA 1-5/8 Coax

GERLING

## Model GA1125

The model GA1125 is a coaxial 3-port circulator designed for 915 MHz microwave heating applications requiring high reliability and rugged construction. Circulators are most often used with dummy loads in an isolator configuration for magnetron protection, but they are also useful for other purposes in conjunction with devices such as phase shifters and variable attenuators.

Construction of the GA1125 is all nickel plated copper and brass, including the water cooling channels to prevent corrosion due to harsh cooling water supplies.

### General Specifications:

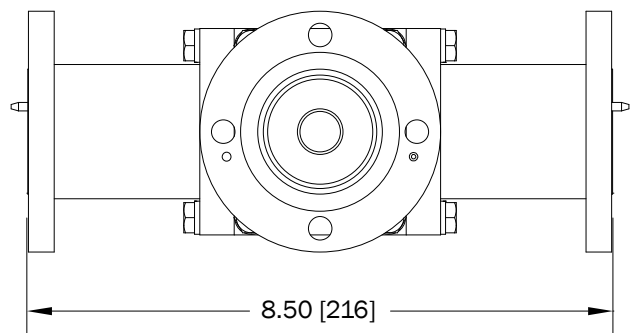
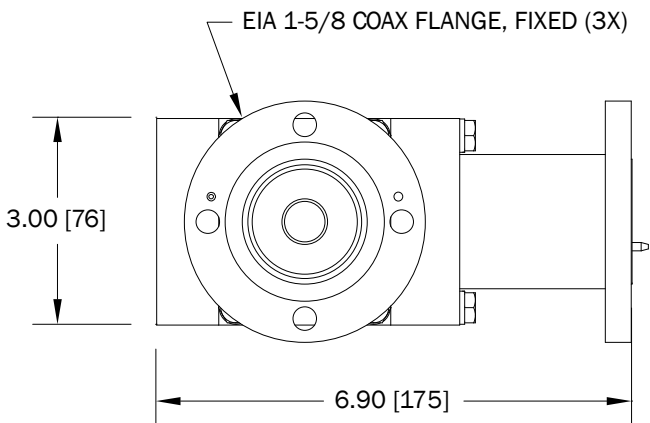
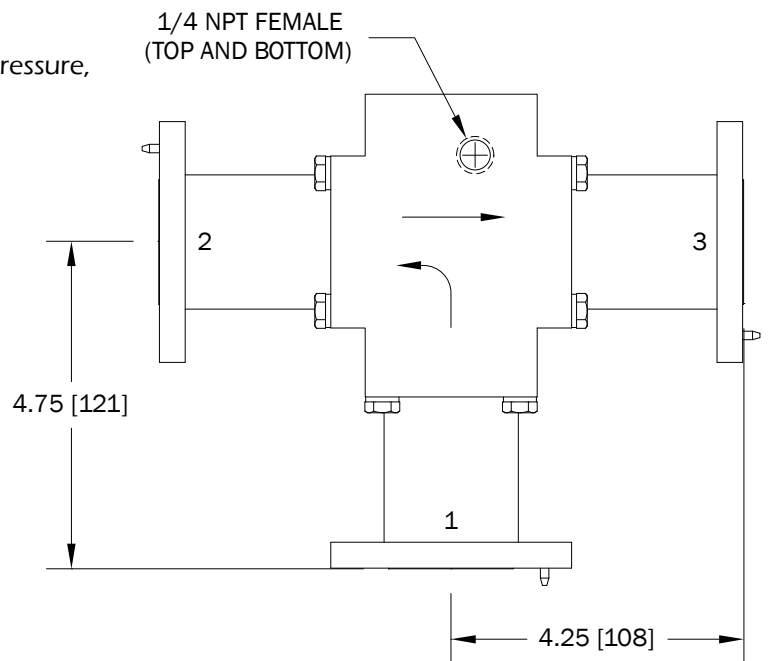
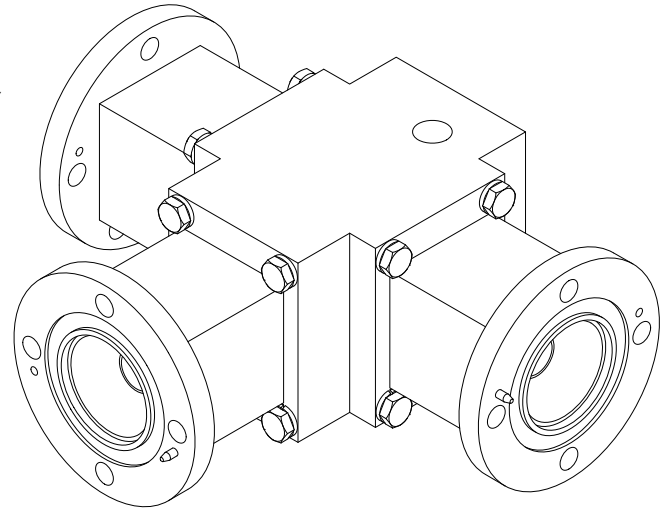
Frequency	915 MHz nominal
Input Power	5 kW continuous max. (forward and reverse)
Flanges	EIA 1-5/8 Coax, fixed
Input VSWR	1.15 max. (Port 1)
Insertion Loss	0.40 dB max. (Port 1 to Port 2)
Isolation	23 dB min. (Port 2 to Port 1)
Coupler Probe	Type N female (optional)
Coupler Calibration	50 +/- 1 dB
Water Connections	1/4 NPT female threads
Water Flow	2.0 gpm min., 125 psi max. inlet pressure, 50°C max. inlet temp
Construction	Copper and brass
Finish	Nickel plate

### Options:

- ◆ Flange interlock switch (any flange)
- ◆ Flange mounting studs

### Accessories:

- ◆ GA1238 dummy load



GERLING APPLIED  
ENGINEERING, INC.

© 2015 Gerling Applied Engineering, Inc.  
PO Box 580816 • Modesto, CA 95358 • USA  
Phone: +1-209-527-8960 • Fax: +1-209-527-5385  
E-mail: sales@2450MHz.com • Web: www.2450MHz.com