

High Power Variable Attenuator, 15kW, WR430

GERLING

Model GA1126

Model GA1126 is a waveguide variable attenuator designed for high power industrial heating applications. High power variable attenuators are useful where process stability is compromised by inherent operating characteristics and limitations of commercially available microwave generators. Process performance can be enhanced by allowing the microwave generator to remain in a steady state operating condition while using the variable attenuator to control microwave power delivered to the process load.

The GA1126 is a hybrid variable attenuator consisting of a 3-port circulator, adjustable tuning stub and dummy load. Generated microwave power entering port 1 is initially delivered to the dummy load. Adjusting the tuning stub into the waveguide causes a percentage of power to be reflected back to the circulator where it is then directed out port 2 and to the process load.

Construction of the GA1126 is all aluminum waveguide. Corrosion due to harsh cooling water supplies is minimized using all copper water lines and brass fittings.

General Specifications:

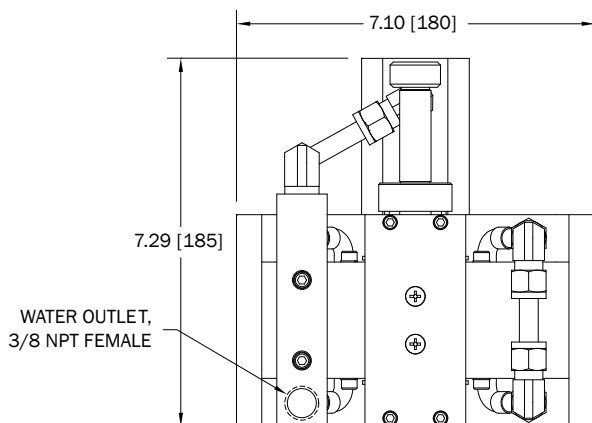
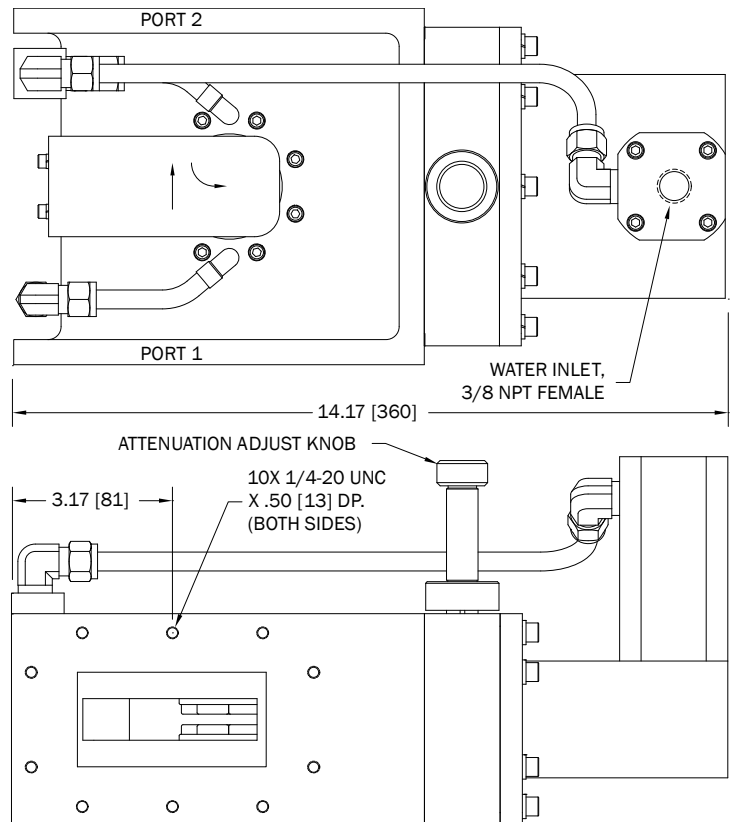
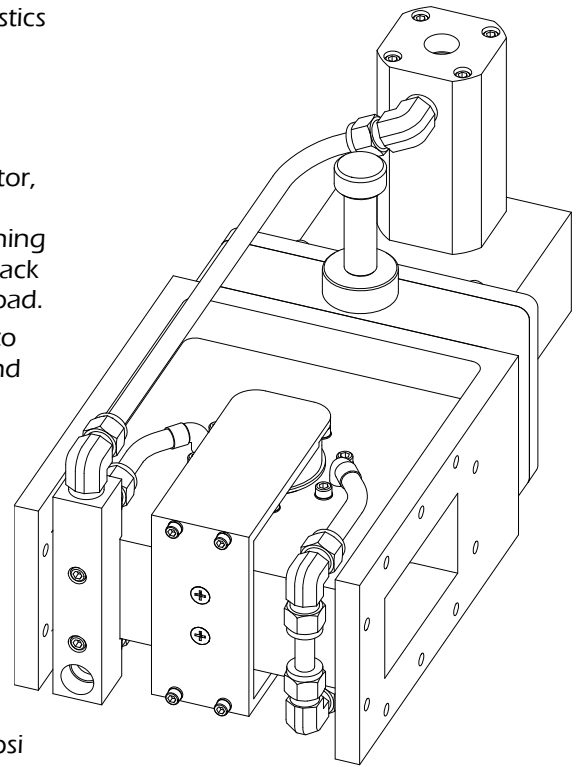
Frequency	2450 MHz nominal
Input Power	15 kW continuous max.
Waveguide	WR430 (RG105/U)
Flanges	CPR430 (UG1711/U) with M6 metric tapped holes
Input VSWR	1.2 max. (Port 1)
Attenuation	20-99%
Water Connections	3/8 NPT female threads
Water Flow	Minimum .26 gpm (1 lpm) per kW input power, 70 psi max. inlet pressure, 50°C max. inlet temp
Construction	Aluminum body, brass water connections
Finish	Clear chemical film

Options:

- ◆ Flange interlock switches (either flange)
- ◆ Flange mounting studs

Accessories:

- ◆ GA2409 Flange Adapter Set (for connecting to adjacent isolator)



GERLING APPLIED ENGINEERING, INC.
(a Muegge GmbH company)

© 2015 Gerling Applied Engineering, Inc.
PO Box 580816 • Modesto, CA 95358 • USA
Phone: +1-209-527-8960 • Fax: +1-209-527-5385
E-mail: sales@2450MHZ.com • Web: www.2450MHZ.com