

# High Power Dummy Load, WR284

GERLING

**Model GA1201**  
**Model GA1204**

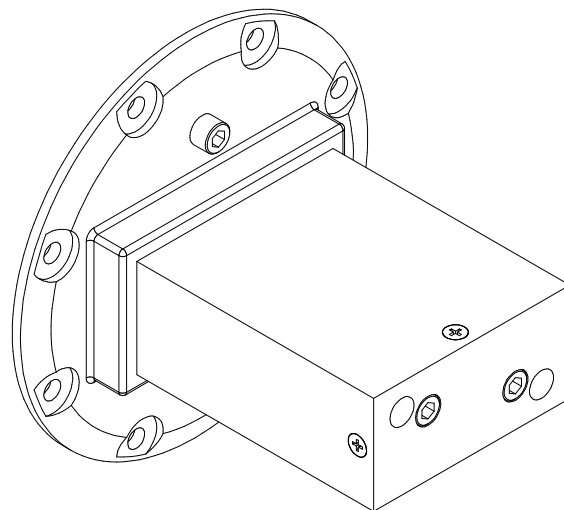
GAE's popular line of high power and compact dummy loads have the highest ratio of power capacity to size of any commercially available load. These loads are most often used with circulators in an isolator configuration, but they are also useful as phantom loads for testing and calibration as well as traveling wave and variable Q applicators.

As with all GAE dummy loads, models GA1201 and GA1204 use water as the absorptive medium in a polyethylene insert to provide excellent performance and long life at up to 3kW continuous input power. The naval brass water connections minimize corrosion from harsh water supplies to further enhance reliability and life.

Model GA1204 features the popular WR284 Q-D (quick-disconnect) round flange that uses a single screw clamp for waveguide connections.

### General Specifications:

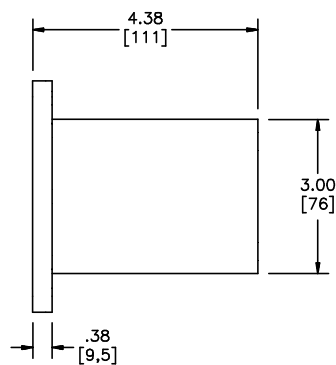
Frequency	2450 MHz nominal
Input Power	3 kW continuous max.
Waveguide	WR284 (RG75/U)
Input Flange	GA1201: CPR (UG1725/U) GA1204: Q-D Round (UG584/U)
Return Loss	20 dB min. @ 2450 MHz
Water Connections	1/8 NPT Female
Water Flow	1.0 gpm nominal, 70 psi max. inlet pressure
Construction	Dip brazed aluminum, brass water connections
Finish	Clear chemical film, black paint



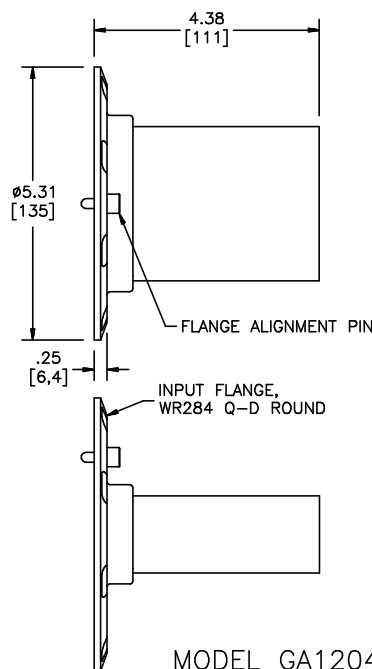
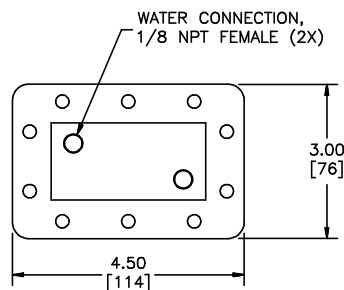
**Model GA1204**

### Options:

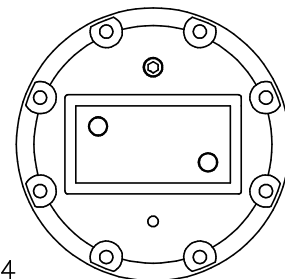
- ◆ Heli-Coils or studs on flange (any combination)
- ◆ Flange interlock switch
- ◆ Water connection fittings (various types available)



**MODEL GA1201**



**MODEL GA1204**



**GERLING APPLIED  
ENGINEERING, INC.**

© 2007 Gerling Applied Engineering, Inc.  
PO Box 580816 • Modesto, CA 95358 • USA  
Phone: +1-209-527-8960 • Fax: +1-209-527-5385  
E-mail: sales@2450MHz.com • Web: www.2450MHz.com