

Dummy Load w/Power Reflector, CPR159

GERLING

Model GA1224

GAE has combined its compact dummy load with a precision power reflecting stub into a single waveguide component to provide variable return loss load for high power heating applications. This unique component is intended for situations requiring controlled variability of VSWR or variable power delivery using fixed output microwave generators.

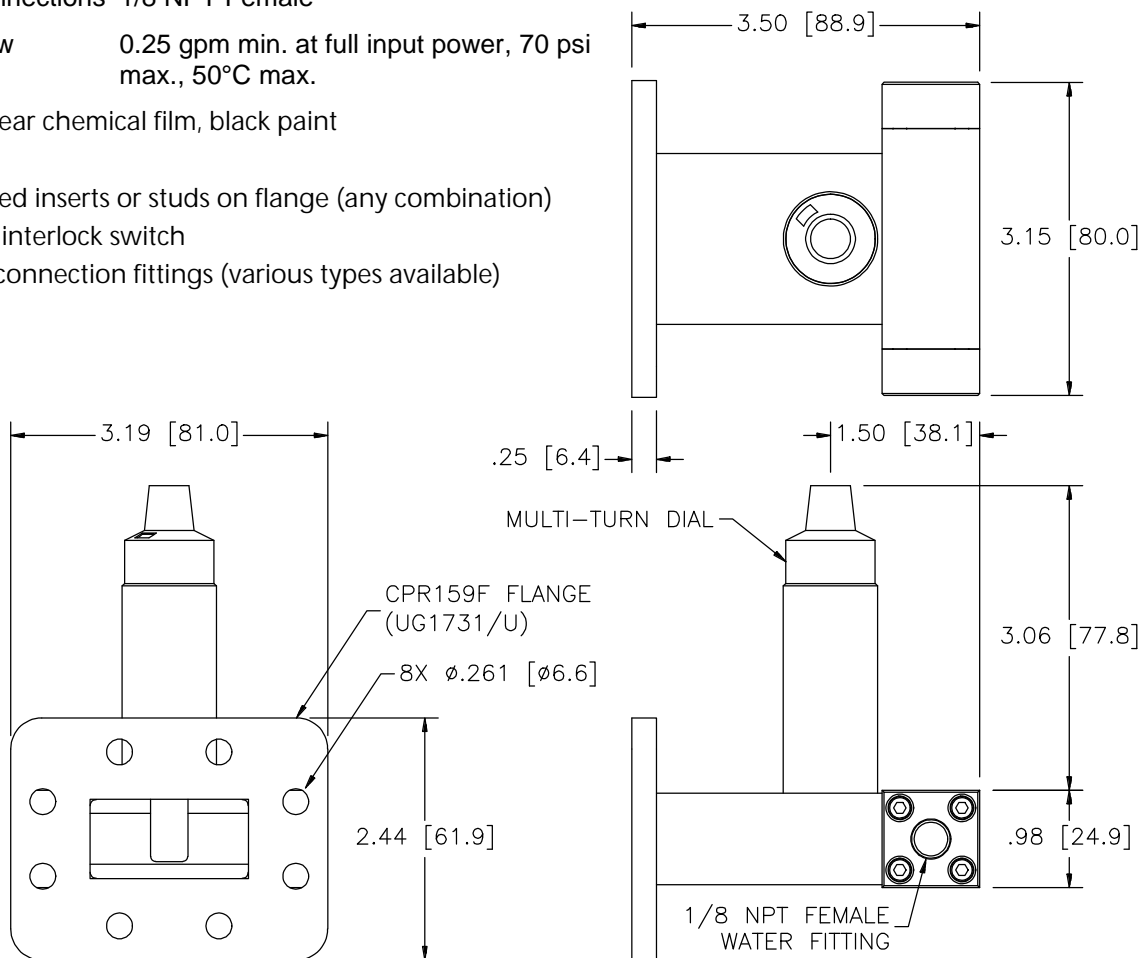
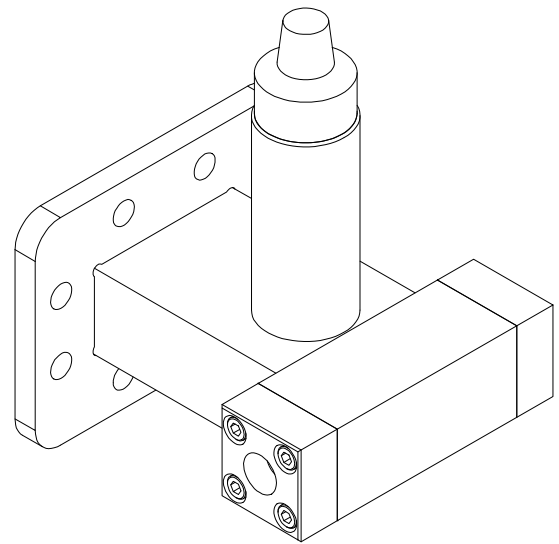
As with all GAE dummy loads, model GA1224 uses ordinary water as the absorptive medium. With quartz tubing for water conveyance, the internal geometry was computer-optimized to maximize return loss over a broad range of operating temperatures. Stainless steel water connections minimize corrosion from harsh water supplies to further enhance reliability and life. A precision drive mechanism and locking multi-turn dial provide highly accurate and repeatable adjustment of the reflection.

General Specifications:

Frequency	5.8 GHz nominal
Input Power	700 W continuous max.
Waveguide	WR159 (RG344/U)
Input Flange	CPR-F (UG1731/U)
Return Loss	Variable from 0.1 to 20 dB
Water Connections	1/8 NPT Female
Water Flow	0.25 gpm min. at full input power, 70 psi max., 50°C max.
Finish	Clear chemical film, black paint

Options:

- ◆ Threaded inserts or studs on flange (any combination)
- ◆ Flange interlock switch
- ◆ Water connection fittings (various types available)



GERLING APPLIED
ENGINEERING, INC.

© 2003 Gerling Applied Engineering, Inc.
PO Box 580816 • Modesto, CA 95358 • USA
Phone: +1-209-527-8960 • Fax: +1-209-527-5385
E-mail: sales@5800MHz.com • Web: www.5800MHz.com