

Waveguide Adapter, EIA 1-5/8 Coax

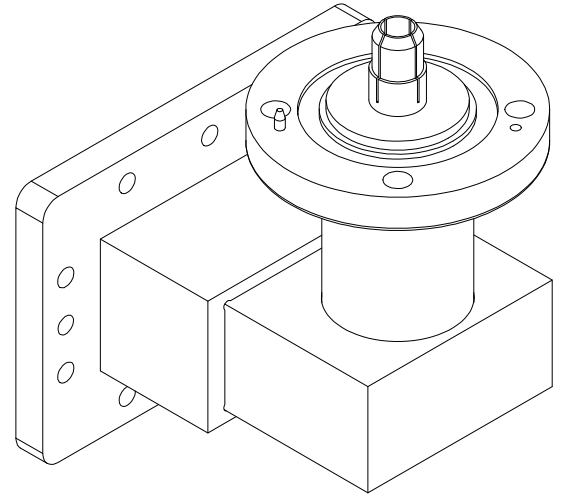
GERLING

Model GA2018
Model GA2019

GAE offers a series of high power waveguide to coax transitions that deliver high performance at high microwave power levels. Each model in the series utilizes the classical cross-bar method of terminating the coaxial center conductor, thus minimizing or eliminating the voltage breakdown common with non-terminated designs.

General Specifications:

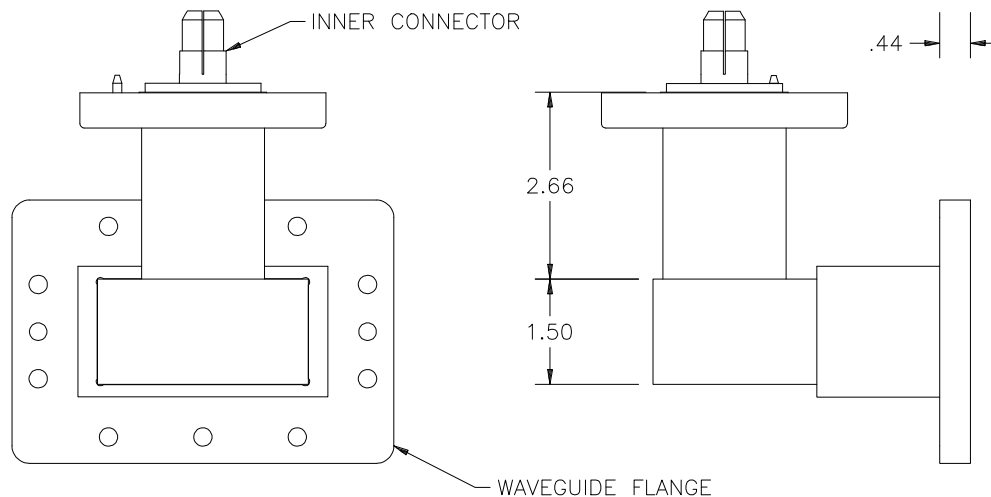
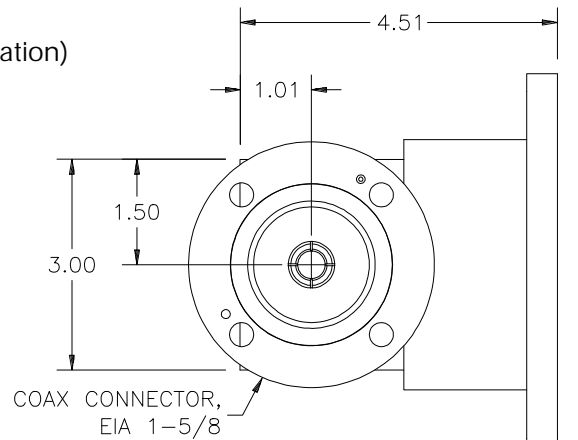
Frequency	2450 MHz +/- 50 MHz
Input Power	3 kW continuous max. (output to matched load)
Waveguide	GA2018: WR340 (RG113/U) GA2019: WR430 (RG105/U)
Waveguide Flange	GA2018: CPR-F (UG1713/U) GA2019: CPR-F (UG1711/U)
Coax Connector	EIA 1-5/8, swiveling
Input VSWR	1.3 max.
Insertion Loss	.1 dB max
Construction	6061-T6 Aluminum
Finish	Chemical conversion coating (alodine)



Model GA2018

Options:

- ◆ Threaded inserts or studs on flange (any combination)
- ◆ Flange interlock switch



GERLING APPLIED ENGINEERING, INC.

© 2007 Gerling Applied Engineering, Inc.
PO Box 580816 ▪ Modesto, CA 95358 ▪ USA
Phone: +1-209-527-8960 ▪ Fax: +1-209-527-5385
E-mail: sales@2450MHz.com ▪ Web: www.2450MHz.com