

Waveguide Adapter, 7/16 DIN Coax, 5.8 GHz

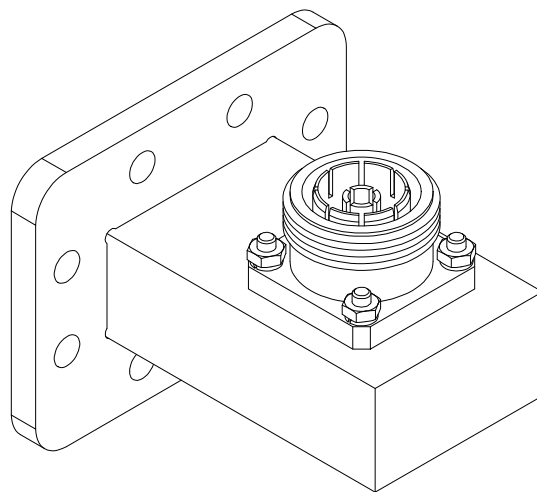
GERLING

Model GA2024

GAE offers a series of high power waveguide to coax transitions that deliver high performance at relatively high microwave power levels. Model GA2024 is designed with the classical cross-bar method of terminating the coaxial center conductor, thus minimizing or eliminating the voltage breakdown common with non-terminated designs. The power rating is limited only by the rating of the coaxial cable (provided by the customer) attached to the 7/16 DIN connector, which in most cases does not exceed 1.5 kW.

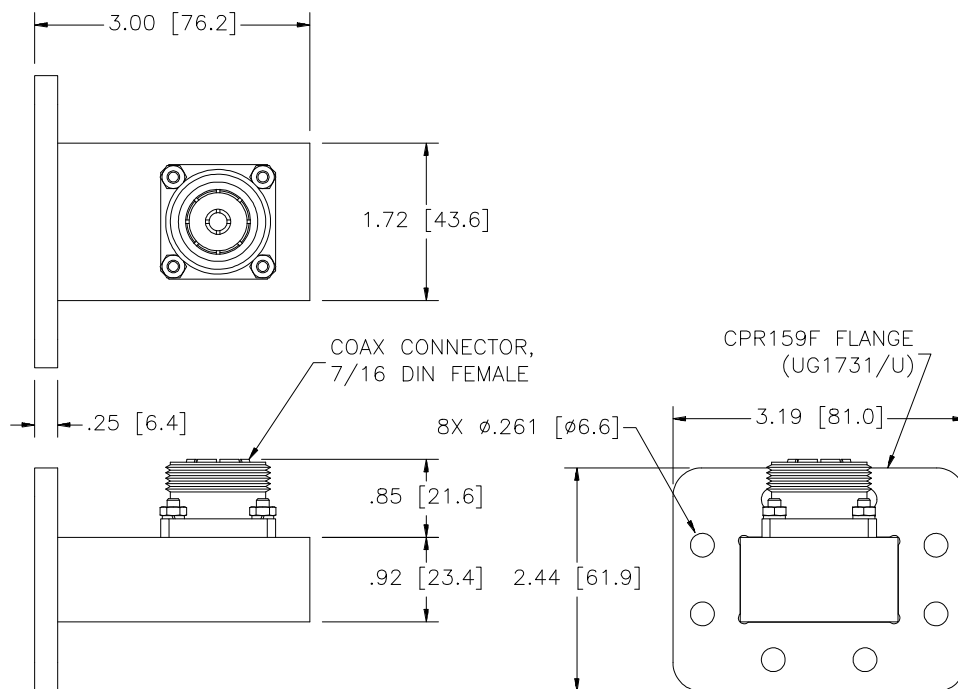
General Specifications:

Frequency	5.8 GHz nominal
Input Power	1.5kW continuous max. (output to matched load)
Waveguide	WR159 (RG344/U)
Waveguide Flange	CPR-F (UG1731/U)
Coax Connector	7/16 DIN Female
Input VSWR	1.2 max.
Insertion Loss	.13 dB max
Construction	Aluminum waveguide body; Brass coax connector and center conductor
Finish	Chemical conversion coating (alodine)



Options:

- ◆ Threaded inserts or studs on flange (any combination)
- ◆ Flange interlock switch



GERLING APPLIED
ENGINEERING, INC.

© 2009 Gerling Applied Engineering, Inc.
PO Box 580816 • Modesto, CA 95358 • USA
Phone: +1-209-527-8960 • Fax: +1-209-527-5385
E-mail: sales@5800MHz.com • Web: www.5800MHz.com