

# Flexible Waveguide, CPR284

GERLING

## Model GA2101

### Specifications:

Waveguide	WR284
Flange	CPR284F (UG1725/U)
Material	Brass flanges, corrugated copper waveguide
Construction	Silver solder
Input Power	4 kW average max.
VSWR	1.10 max.
Insertion Loss	.02 dB/ft max.
Length A (min/max)	4.00 [102]; 48.00 [1219]
Bend Radius (min)	E-plane: 4" [102]; H-plane: 12" [306]
Operating Temp	400 °F (204 °C) max.

### Options:

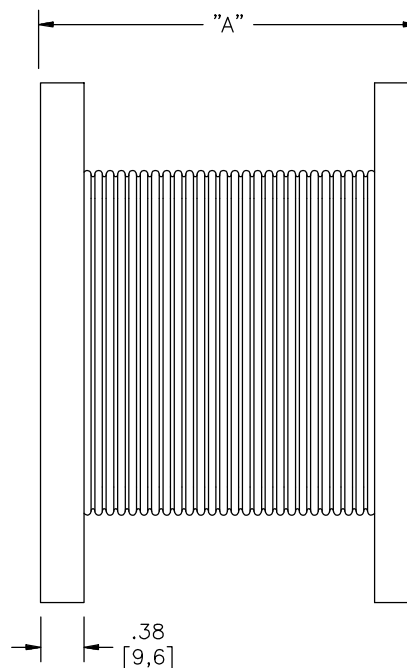
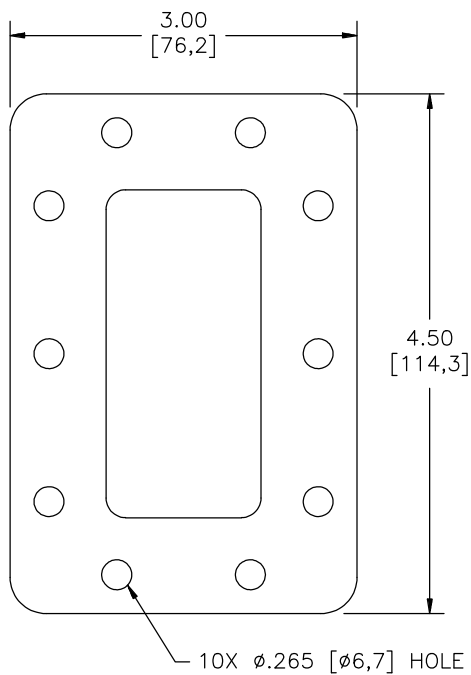
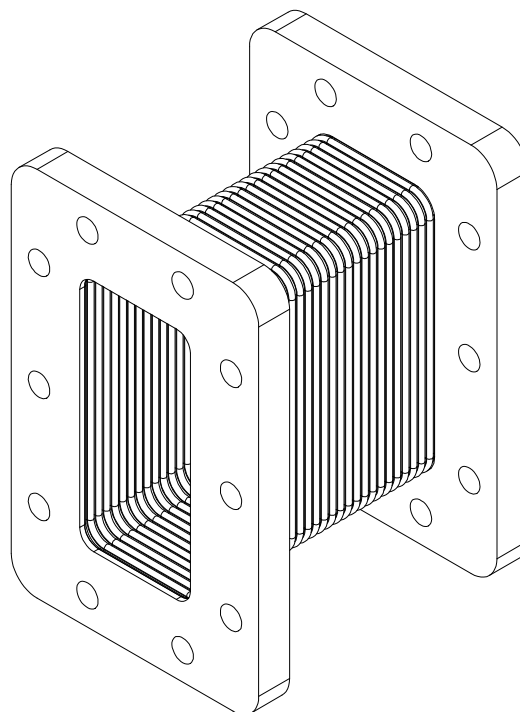
- ◆ Threaded flange holes (see ordering information)
- ◆ Flange interlock switches

### Ordering Information:

Model Number Format: **GA2101-X.XX**  
X.XX = "A" dimension (inches)

Optional threaded inserts: Add "H" or "M" after dimension suffix for threaded holes in one flange only, "HH" or "MM" for threads in both flanges (H = 1/4-20 UNC; M = M6 metric)

Example: **GA2101-12.00H** designates Flexible Waveguide, CPR284, 12.00 inches long with threaded holes in one flange only



GERLING APPLIED  
ENGINEERING, INC.

© 2003-2011 Gerling Applied Engineering, Inc.  
PO Box 580816 • Modesto, CA 95358 • USA  
Phone: +1-209-527-8960 • Fax: +1-209-527-5385  
E-mail: sales@2450MHz.com • Web: www.2450MHz.com