

# Flexible Waveguide, WR284

GERLING

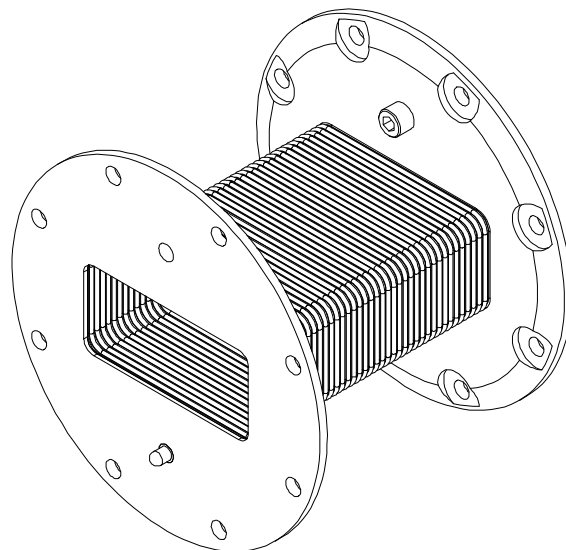
Model GA2104

## Specifications:

Waveguide	WR284
Flange	Quick-disconnect round, compatible with UG-584/U
Material	Brass flanges, corrugated copper waveguide
Construction	Silver solder
Input Power	4 kW average max.
VSWR	1.10 max.
Insertion Loss	.02 dB/ft max.
Length A (min/max)	4.00 [102]; 48.00 [1219]
Bend Radius (min)	E-plane: 4" [102]; H-plane: 12" [306]
Operating Temp	400 °F (204 °C) max.

## Options:

- ◆ Flange interlock switches

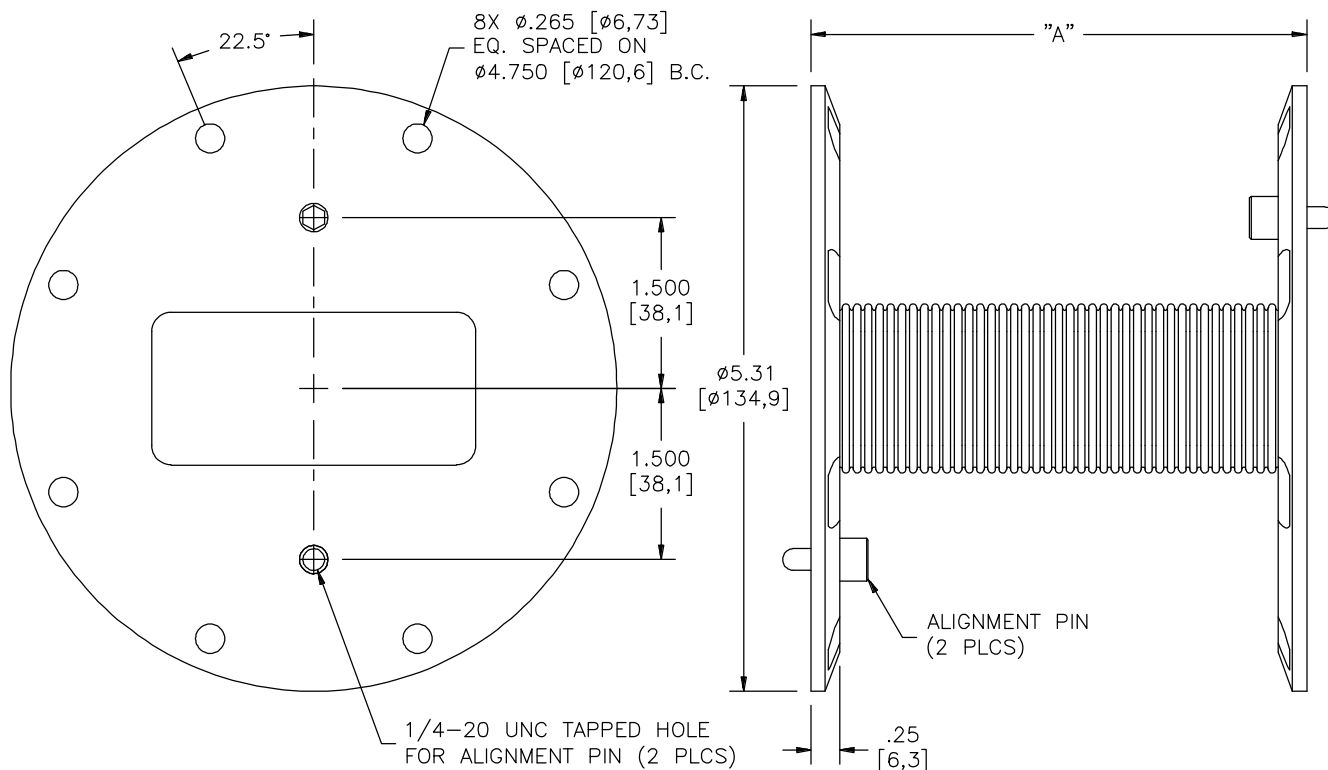


## Ordering Information:

Model Number Format: **GA2104-X.XX**

X.XX = "A" dimension (inches)

Example: **GA2104-12.00** designates a 12" long section of WR284 flexible waveguide



GERLING APPLIED  
ENGINEERING, INC.

© 2003-2011 Gerling Applied Engineering, Inc.  
PO Box 580816 • Modesto, CA 95358 • USA  
Phone: +1-209-527-8960 • Fax: +1-209-527-5385  
E-mail: sales@2450MHz.com • Web: www.2450MHz.com