

# Straight Rigid Coax, EIA 1-5/8

GERLING

## Model GA2206

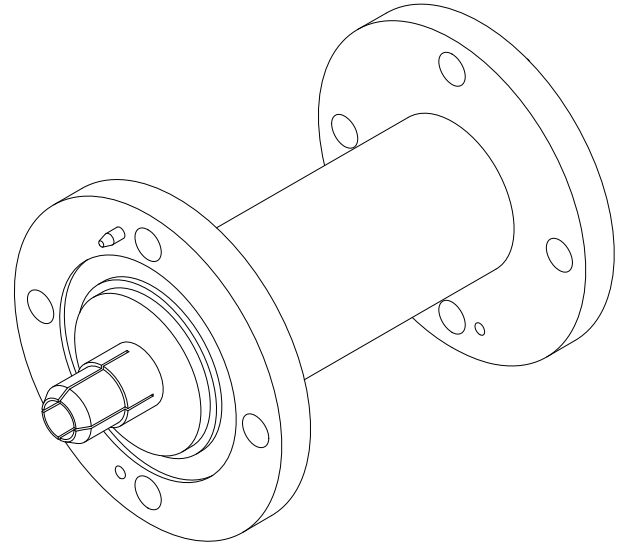
The GA2206 straight rigid coax is standard coaxial transmission line intended for industrial microwave heating applications. Swivel flanges at both ends provide flexibility in configuring the microwave power transmission components in a system layout. The inner connector and fasteners are included for one flange.

### Specifications:

Flange	EIA 1-5/8 Coax (swivel one end, fixed other end)
Power (continuous)	915 MHz: 5 kW max. 2450 MHz: 3 kW max. (output to matched load)
VSWR	1.10 (max.)
Insertion Loss	.02 dB (max.)
Material	Outer conductor: Dip brazed aluminum Inner conductor: copper
Finish	Conversion coating (Alodine)

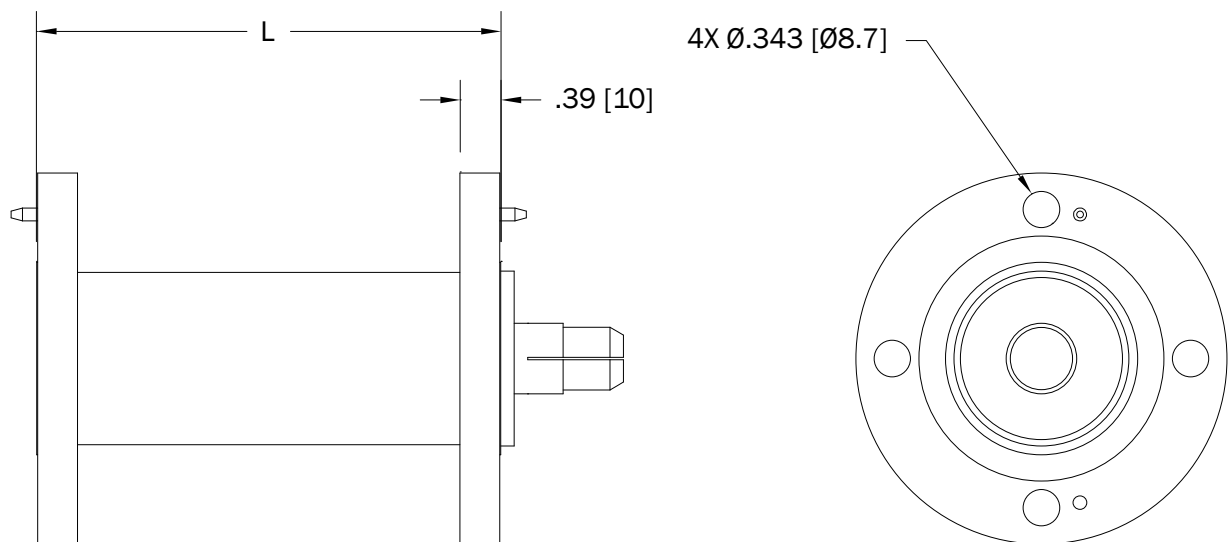
### Options:

- ◆ Flange studs and/or threaded inserts
- ◆ Flange interlock switch



### Ordering Information:

Model Number Format:	<b>GA2206-X.XX</b> X.XX = "L" dimension (inches)
Optional threaded inserts:	Add "H" or "M" after dimension suffix for threaded inserts in one flange only, "HH" or "MM" for inserts in both flanges (H = 5/16-18 UNC; M = M8 metric)
Example:	<b>GA2206-12.00H</b> designates rigid coax line, 12" long with inserts in one flange only.



GERLING APPLIED  
ENGINEERING, INC.

© 2015 Gerling Applied Engineering, Inc.  
PO Box 580816 • Modesto, CA 95358 • USA  
Phone: +1-209-527-8960 • Fax: +1-209-527-5385  
E-mail: sales@2450MHz.com • Web: www.2450MHz.com