

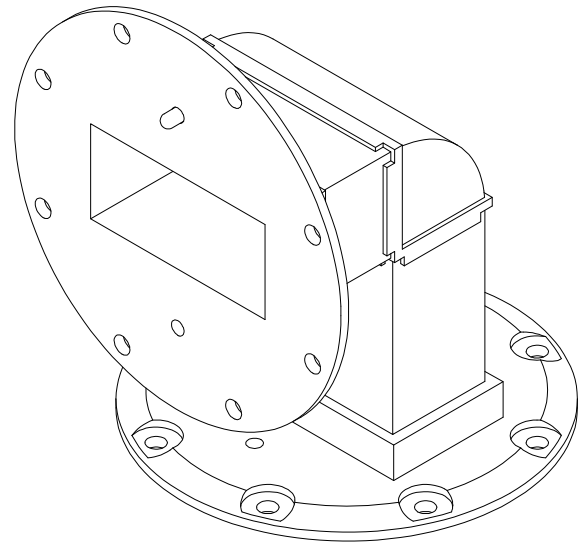
90° E-Plane Bend, WR284

GERLING

Model GA2302

Specifications:

Waveguide:	WR284
Flange:	Quick-disconnect round, compatible with UG-584/u
Material:	6061-T6 Aluminum
Construction:	Dip braze per MIL-B-7883, Type V, Class B
Finish:	Clear chemical film per MIL-DTL-5541F, Type II, Class 3
VSWR:	1.10 (max.)
Insertion Loss:	.02 dB (max.)
Length A/B Min, Max:	1.75 (44,4); 48.00 (1219)



Ordering Information:

Model Number Format: **GA2302** = Standard model with 4" lengths (dimensions "A" and "B")

GA2302-Y.YY-Z.ZZ

Y.YY = "A" flange dimension (inches)

Z.ZZ = "B" flange dimension (inches)

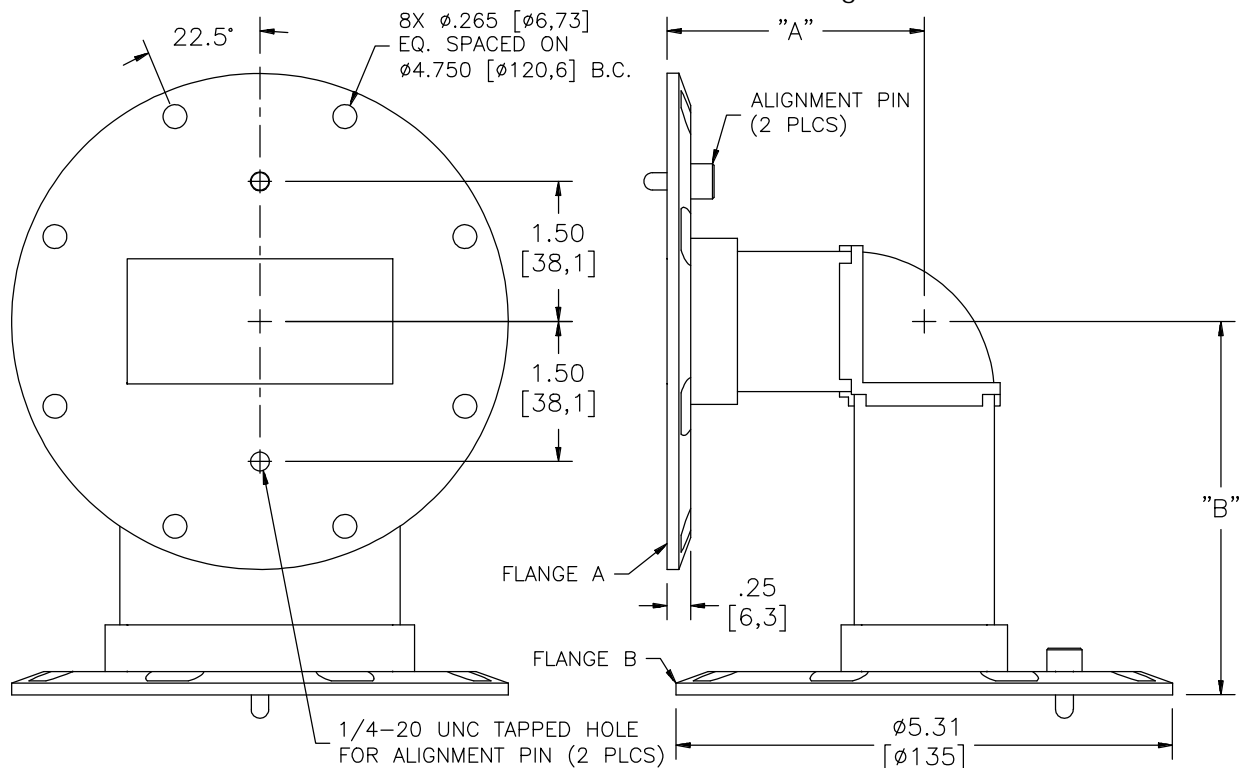
Example: **GA2302-3.00-4.50** designates a 90° E-plane Bend, WR284, with 3.00" and 4.50" lengths

Options:

- ◆ Flange interlock switches
- ◆ Alternate finish (paint)
- ◆ Alternate materials (brass, copper)

Accessories:

- ◆ Flange clamp, model GA8410
- ◆ Flange hardware kit, model GA8409 (please specify type and length)
- ◆ Flange bolt interlock, model GA8408



GERLING APPLIED
ENGINEERING, INC.

© 2003-2008 Gerling Applied Engineering, Inc.
PO Box 580816 • Modesto, CA 95358 • USA
Phone: +1-209-527-8960 • Fax: +1-209-527-5385
E-mail: sales@2450MHz.com • Web: www.2450MHz.com