

H-Plane (Shunt) Tee, WR284

GERLING

Model GA2308

Waveguide H-Plane (shunt) Tees are commonly used for dividing microwave power evenly between two waveguides. When matched loads are connected to both output ports, microwave power entering the input port of the Tee is divided evenly between its two output ports. Furthermore, the output waves will have the same phase relationship at the respective output flange surfaces.

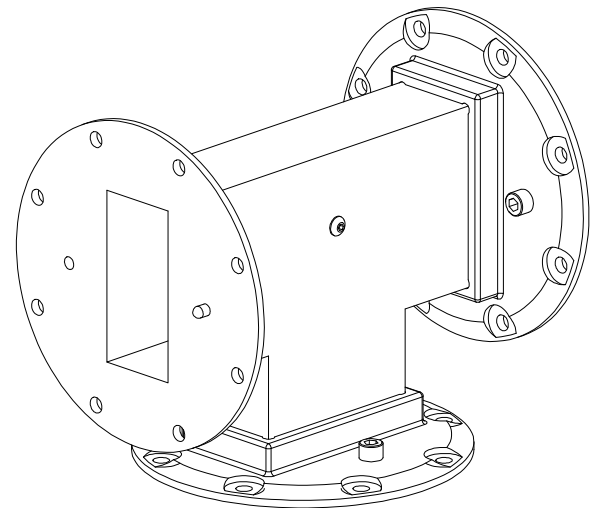
The consequence of connecting a mismatched load to either or both output ports is uneven division of the input power. A 2-port isolator (or 3-port circulator and dummy load) is often connected at both output ports of the Tee to ensure optimal performance.

Model GA2308 also features the popular WR284 Q-D (quick-disconnect) round flange that uses the convenient single screw clamp (model GA8410) for waveguide connections.

Specifications:

Frequency:	2450 MHz +/- 30 MHz
Waveguide:	WR284
Flange:	Quick-Disconnect round, compatible with UG-584/U
Material:	6061-T6 Aluminum
Construction:	Dip braze per MIL-B-7883, Type V, Class B
Finish:	Clear chemical film per MIL-DTL-5541F, Type II, Class 3
Input VSWR:	1.15 (max.)
Output Gain:	-3 dB +/- 0.2 dB *
Total Insertion Loss:	.05 dB (max.)

(* With matched loads at output ports)

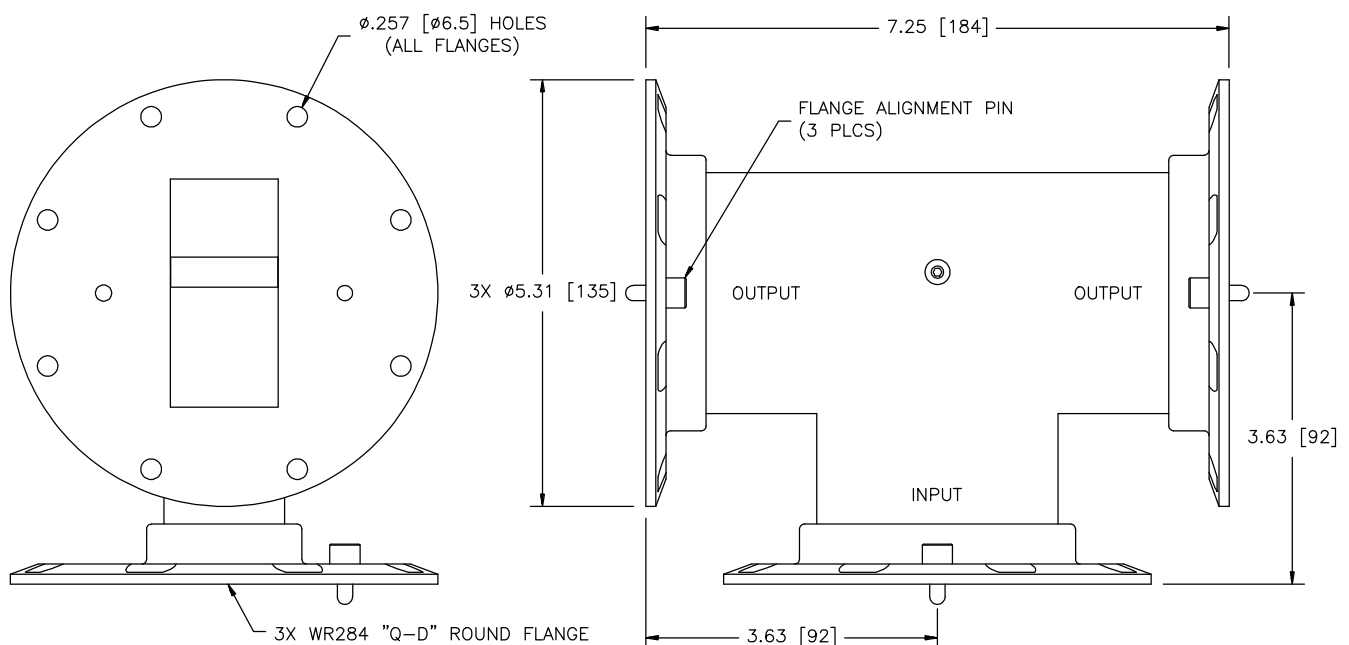


Options:

- ◆ Flange interlock switches
- ◆ Alternate finish (paint)
- ◆ Alternate materials (brass, copper)

Accessories:

- ◆ Flange clamp, model GA8410
- ◆ Flange hardware kit, model GA8409 (please specify type and length)
- ◆ Flange bolt interlock, model GA8408



GERLING APPLIED
ENGINEERING, INC.

© 2008 Gerling Applied Engineering, Inc.
PO Box 580816 • Modesto, CA 95358 • USA
Phone: +1-209-527-8960 • Fax: +1-209-527-5385
E-mail: sales@2450MHz.com • Web: www.2450MHz.com