

# Waveguide Twist, WR340

GERLING

## Model GA2319

### Specifications:

Frequency	2450 MHz +/- 30 MHz
Waveguide:	WR340
Flange:	CPR340F (UG554/U)
Twist Type:	Stepped
Material:	6061-T6 Aluminum
Construction:	Dip braze per MIL-B-7883, Type V, Class B
Finish:	Clear chemical film per MIL-DTL-5541F, Type II, Class 3
VSWR:	1.20 (max.)
Insertion Loss:	.05 dB (max.)
Length "L"	90 and 60 degree: 9.16 inches (233 mm) 45 and 30 degree: 5.74 inches (146 mm)

### Ordering Information:

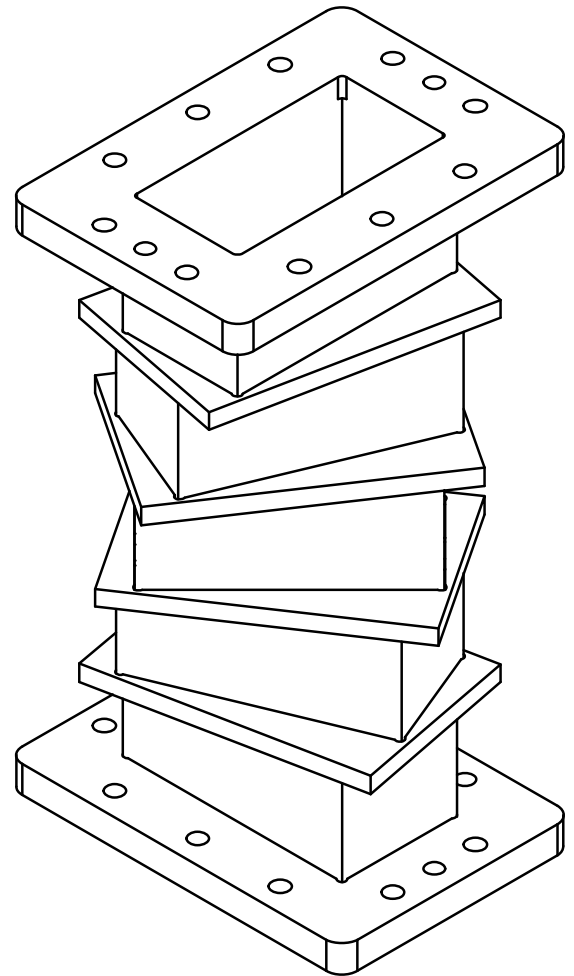
Model Number Format:	<b>GA2319-XX-Y</b>
	XX = Twist angle in degrees Standard: 30, 45, 60 and 90
	Y = (optional) Twist direction: R = Right-hand (default) L = Left-hand (thumb-up convention)

### Options:

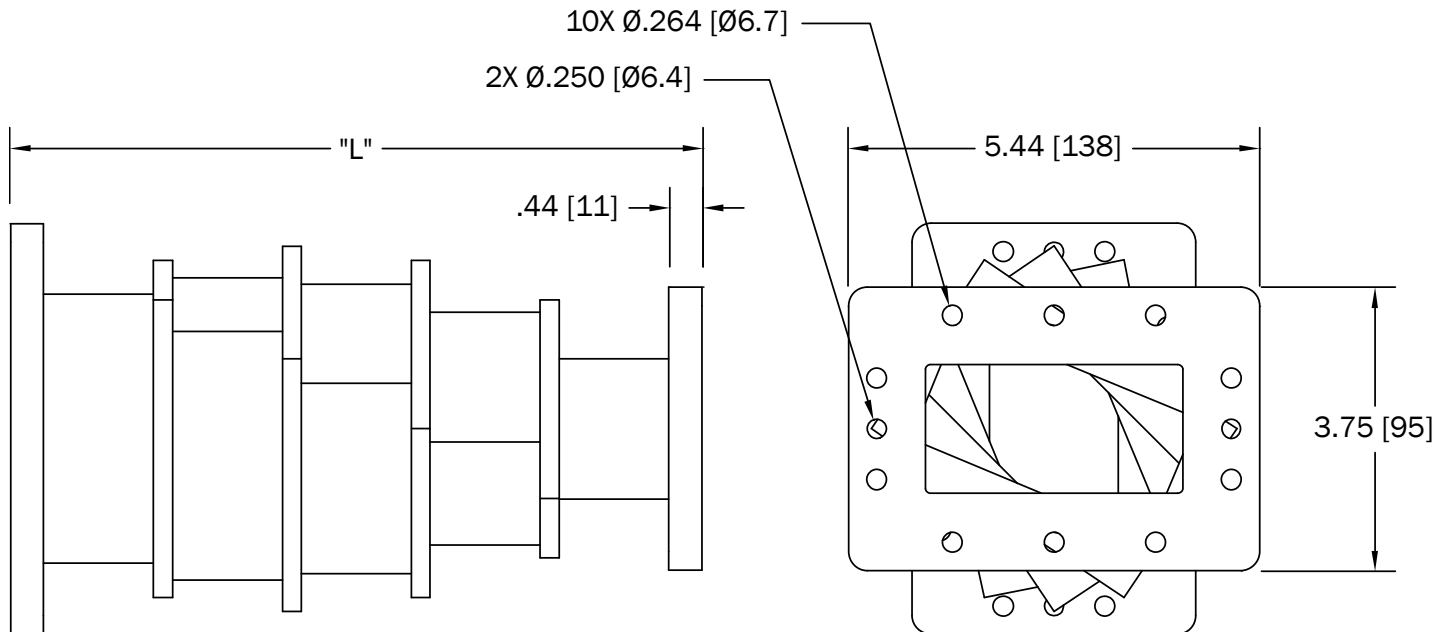
- ◆ Custom twist angle
- ◆ Threaded studs (SAE or metric)
- ◆ Flange interlock switches
- ◆ Alternate finish (paint)

### Accessories:

- ◆ Flange hardware kit, model GA8409 (please specify type and length)
- ◆ Flange bolt interlock, model GA8408



(Right-hand twist shown.)



GERLING APPLIED  
ENGINEERING, INC.

© 2013 Gerling Applied Engineering, Inc.  
PO Box 580816 • Modesto, CA 95358 • USA  
Phone: +1-209-527-8960 • Fax: +1-209-527-5385  
E-mail: sales@2450MHz.com • Web: www.2450MHz.com