

E-Plane (Series) Tee

GERLING

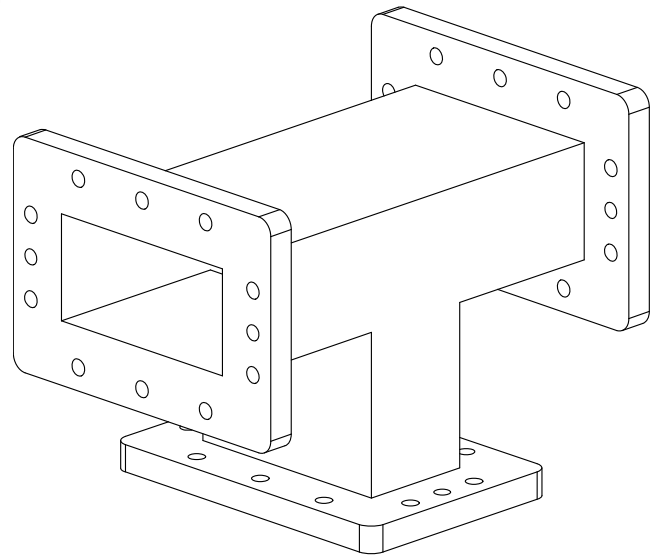
Model GA2322
Model GA2323
Model GA2324

Waveguide E-Plane (series) Tees are commonly used for dividing microwave power evenly between two waveguides. When matched loads are connected to both output ports, microwave power entering the input port of the Tee is divided evenly between its two output ports. Furthermore, the output waves will have the opposite phase relationship (180° phase shift) at the respective output flange surfaces. An impedance matching element is positioned inside the Tee to ensure low VSWR at the input port.

A consequence of connecting a mismatched load to either or both output ports is uneven division of the input power. For this reason, a 2-port isolator (or 3-port circulator and dummy load) may be connected at both output ports of the Tee to ensure optimal performance.

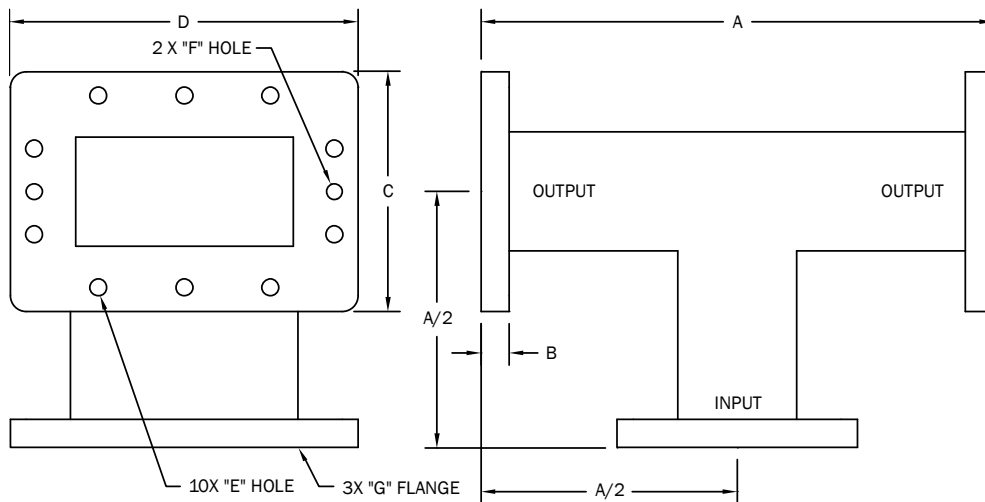
Specifications:

- Frequency: 2450 MHz +/- 30 MHz
 - Waveguide: GA2322: WR284
GA2323: WR340
GA2324: WR430
 - Flange: GA2322: UG1725/U
GA2323: UG1713/U
GA2324: UG1711/U
 - Material: 6061-T6 Aluminum
 - Finish: Clear chemical film
 - Input VSWR: 1.15 (max.)
 - Output Gain: -3 dB +/- 0.2 dB *
 - Total Insertion Loss: .05 dB (max.)
- (* With matched loads at output ports)



Accessories:

- ◆ Flange hardware kit, model GA8409 (please specify type and length)
- ◆ Flange bolt interlock, model GA8408



	GA2322	GA2323	GA2324
WAVEGUIDE	WR284	WR340	WR430
A	7.00 [177,8]	8.00 [203]	9.00 [229]
B	.38 [9,7]	.44 [11,2]	.44 [11,2]
C	3.00 [76,2]	3.75 [95,3]	4.19 [106,4]
D	4.50 [114,3]	5.44 [138,2]	6.34 [161,0]
E	Ø.257 [Ø6,53]	Ø.266 [Ø6,75]	Ø.266 [Ø6,75]
F	NONE	Ø.250 [Ø6,35]	Ø.250 [Ø6,35]
G	UG1725/U	UG1713/U	UG1711/U



GERLING APPLIED
ENGINEERING, INC.

© 2014 Gerling Applied Engineering, Inc.
 PO Box 580816 • Modesto, CA 95358 • USA
 Phone: +1-209-527-8960 • Fax: +1-209-527-5385
 E-mail: sales@2450MHz.com • Web: www.2450MHz.com