

# Flange Adapter, WR284 Round to CPR

GERLING

**Model GA2402**  
**Model GA2403**

A popular feature of many GAE standard products is the quick-disconnect (Q-D) flange used on WR284 waveguide components. This flange utilizes a single screw clamp (GAE model GA8410) to enable rapid assembly and disassembly of waveguide component setups. GAE offers model GA2402 and GA2403 flange adapters to convert WR284 components designed with rectangular CPR type flanges for use with single screw clamps.

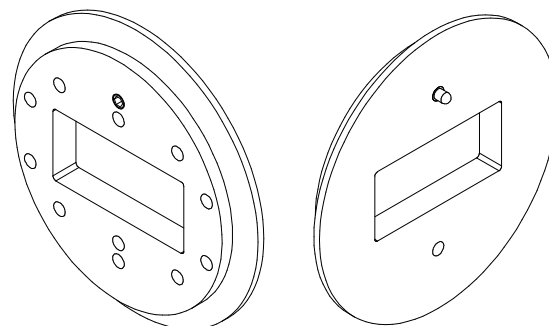
Model GA2402 has threaded inserts and is used with waveguide components having thru-hole CPR flanges. Model GA2403 has thru holes (counter-bored) and is used on tapped hole flanges. Fastener hardware is included. Both are high quality, precision machined components for enhanced performance and durability.

### General Specifications:

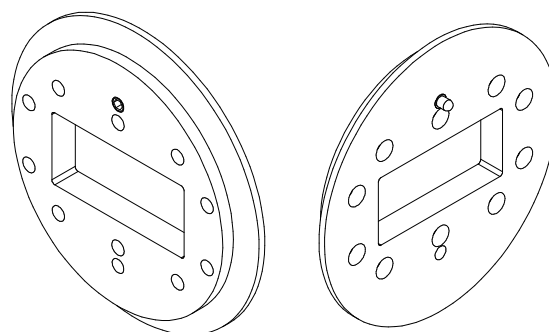
Frequency	2450 MHz nominal
Input Power	3 kW continuous max.
Waveguide	WR284 (RG75/U)
Port 1 Flange	CPR284 (UG1725/U compatible)
Port 2 Flange	Q-D Round (UG584/U compatible)
Input VSWR	1.02:1 max.
Insertion Loss	.01 dB max.
Construction	Aluminum
Finish	Clear chemical film per MIL-DTL-5541F, Type II, Class 3
Fasteners Included	<u>GA2402</u> : 1/4-20 UNC hex bolts for 3/8" thick mating flange with clearance holes <u>GA2403</u> : 1/4-20 UNC socket screws for mating flange with 3/8" deep tapped holes

### Options:

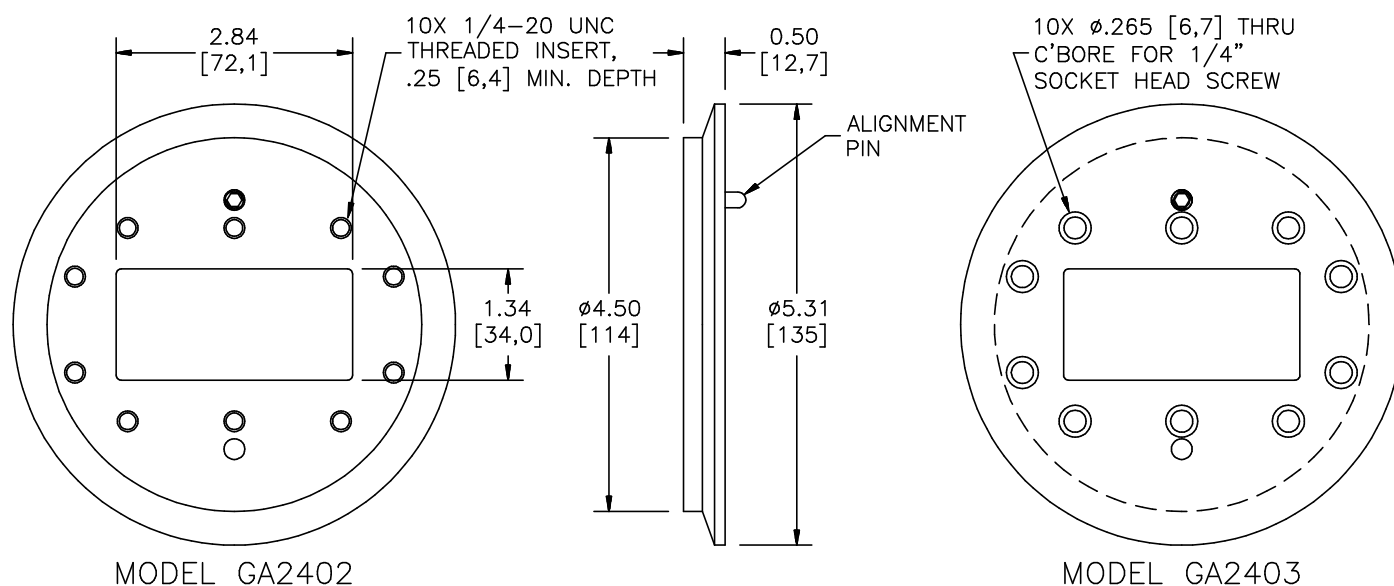
- ◆ Threaded studs or alternate thread size (GA2402 only)
- ◆ Interlock switch
- ◆ Alternate materials and/or finish
- ◆ Alternate fasteners for different mating flanges



**Model GA2402**



**Model GA2403**



GERLING APPLIED  
ENGINEERING, INC.

© 2003-2008 Gerling Applied Engineering, Inc.  
PO Box 580816 • Modesto, CA 95358 • USA  
Phone: +1-209-527-8960 • Fax: +1-209-527-5385  
E-mail: sales@2450MHz.com • Web: www.2450MHz.com