

# Dual Digital Power Monitor, 915 MHz, EIA 1-5/8 Coax

GERLING

## Model GA3013

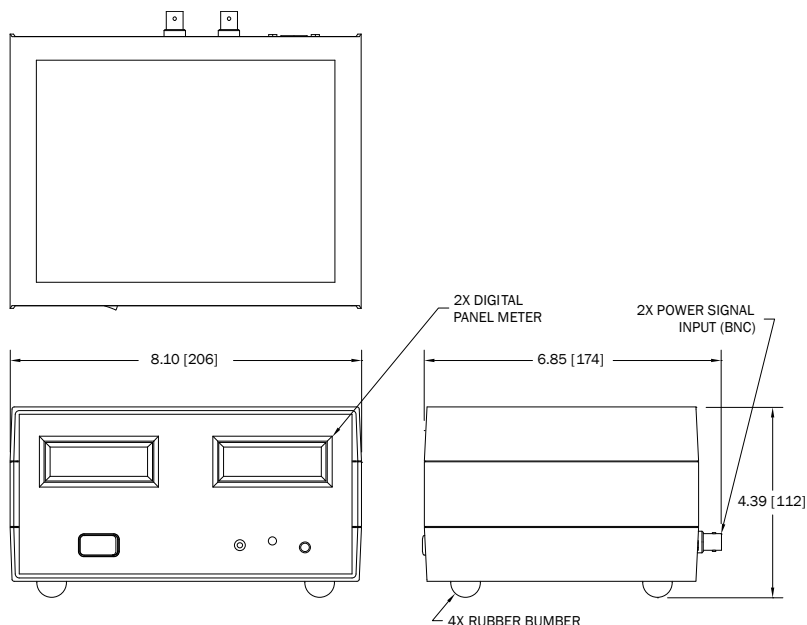
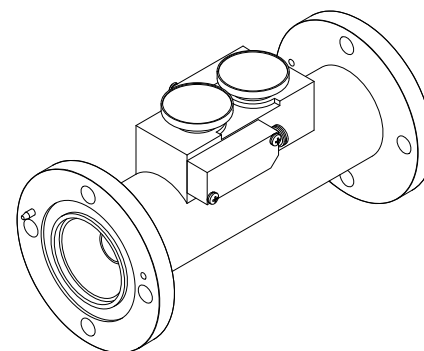
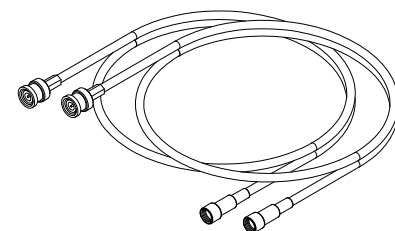
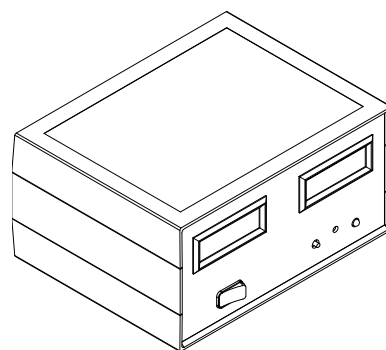
The model GA3013 Dual Digital Power Monitor provides a low cost and convenient means to measure the level of 915 MHz microwave power flowing in both directions in EIA 1-5/8 coaxial transmission line. Measured power is displayed by digital meters enclosed in an attractive case suitable for both laboratory and industrial applications.

Included with the GA3013 are the GA3118 dual directional waveguide coupler and the GA3213 dual digital meter set (includes meters, detector diodes and cables). The detector diodes convert the coupler output RF signals to DC voltages which are delivered to the analog meters via RG-58/U coaxial cables.

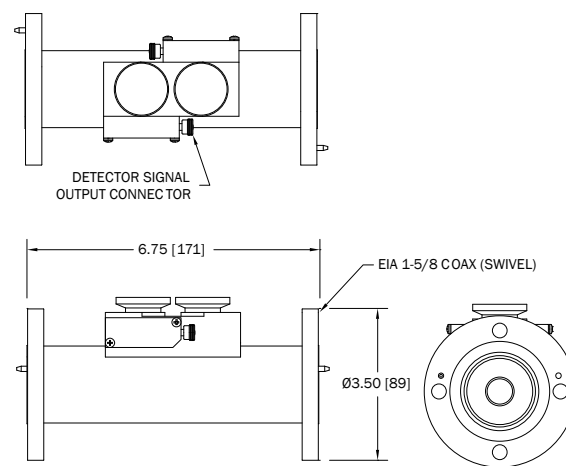
The GA3013 is calibrated as a complete set for the specific type of waveform delivered by the microwave generator. The default waveform is low ripple (CW) while calibration for high ripple or pulsed waveforms is available as an option.

### Specifications:

Frequency	915 MHz +/- 15 MHz
Power (continuous)	5 kW maximum
Flange	EIA 1-5/8 Coax (swivel one end, fixed other end)
Meter Calibration	5 kW full scale (both meters)
Accuracy	+/- 5% of full scale @ 25°C
Coupler Directivity	23 dB minimum
Cables	RG-58/U coax with connectors, 6' long
Construction	Aluminum outer conductor and flanges, copper center conductor



DUAL METER CASE



DUAL DIRECTIONAL COUPLER



GERLING APPLIED  
ENGINEERING, INC.

© 2015 Gerling Applied Engineering, Inc.  
PO Box 580816 • Modesto, CA 95358 • USA  
Phone: +1-209-527-8960 • Fax: +1-209-527-5385  
E-mail: sales@2450MHz.com • Web: www.2450MHz.com