

Dual Directional Waveguide Coupler, WR340 Short

GERLING

Model GA3110

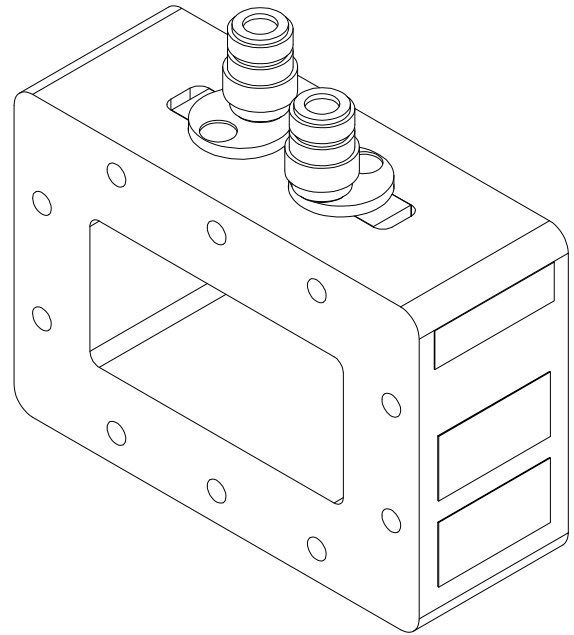
The GA3110 Dual Directional Waveguide Coupler is part of the WaveProbe™ family of waveguide couplers that offer high performance microwave power monitoring in a small package. The WaveProbe™ secret to accurate and reliable waveguide power measurement is in the design of the probe itself. Utilizing a common loop type design, the probe terminates in a proprietary RF resistor configuration that provides excellent directivity and a stable coupling factor.

Specifications:

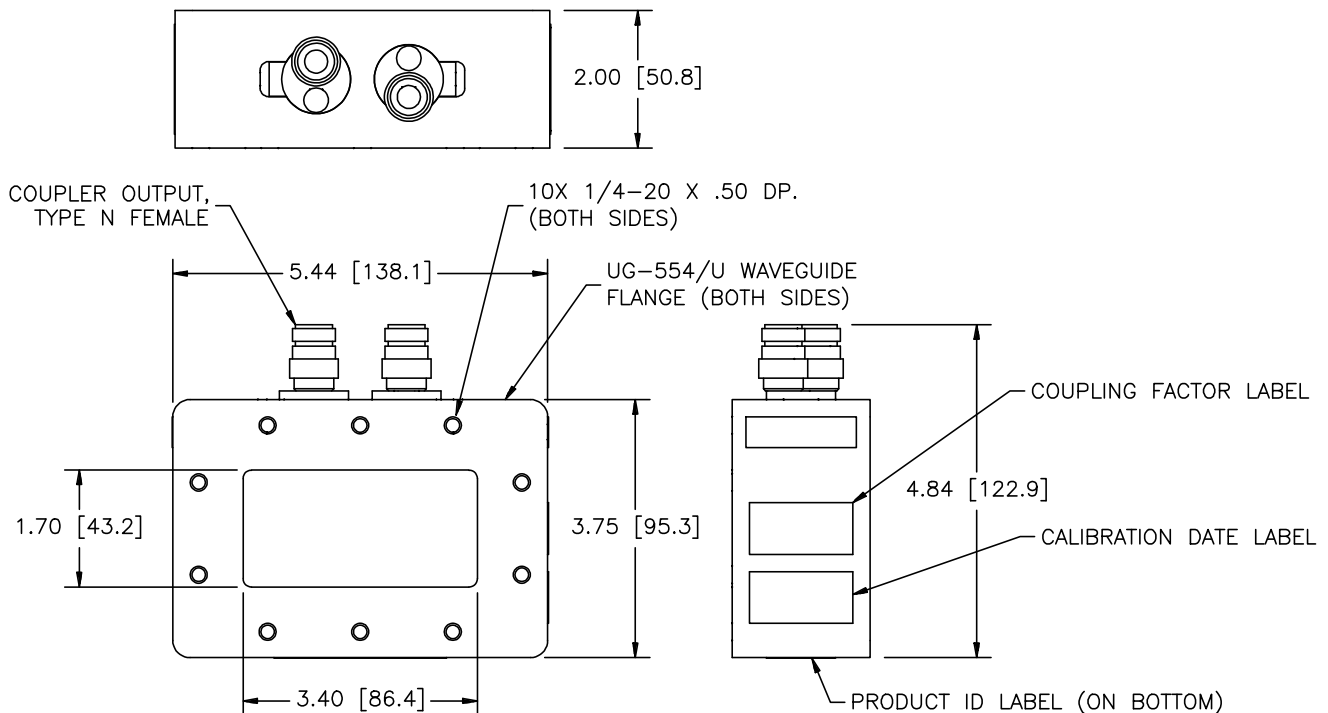
Waveguide	WR340 (RG113/U)
Flange	UG554/U with 1/4-20 tapped holes
Frequency	2450 MHz +/- 50 MHz
Power (continuous)	15 kW
Coupling Factor	60 dB nominal @ 2.45 GHz; measured and indicated to within +/- 0.2 dB
Directivity	23 dB minimum
Output Connector	Type N female
Construction	Aluminum
Finish	Clear chemical film (Alodine)

Options:

- ◆ Alternate coupling factor
- ◆ Enhanced directivity
- ◆ Studs on flanges
- ◆ Flange interlock switches



Model GA3110



GERLING APPLIED
ENGINEERING, INC.

© 2005 Gerling Applied Engineering, Inc.
PO Box 580816 • Modesto, CA 95358 • USA
Phone: +1-209-527-8960 • Fax: +1-209-527-5385
E-mail: sales@2450MHz.com • Web: www.2450MHz.com