

1.8kW Generator Control Module, Rack Mount

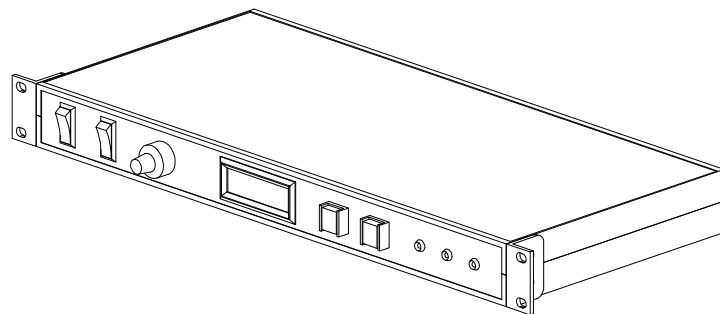


Model GA4206

The model GA4206 Control Module is designed specifically for manual remote control of 1.8kW OEM model microwave generators manufactured by GAE. The family of generators that can be operated by the GA4206 includes the following:

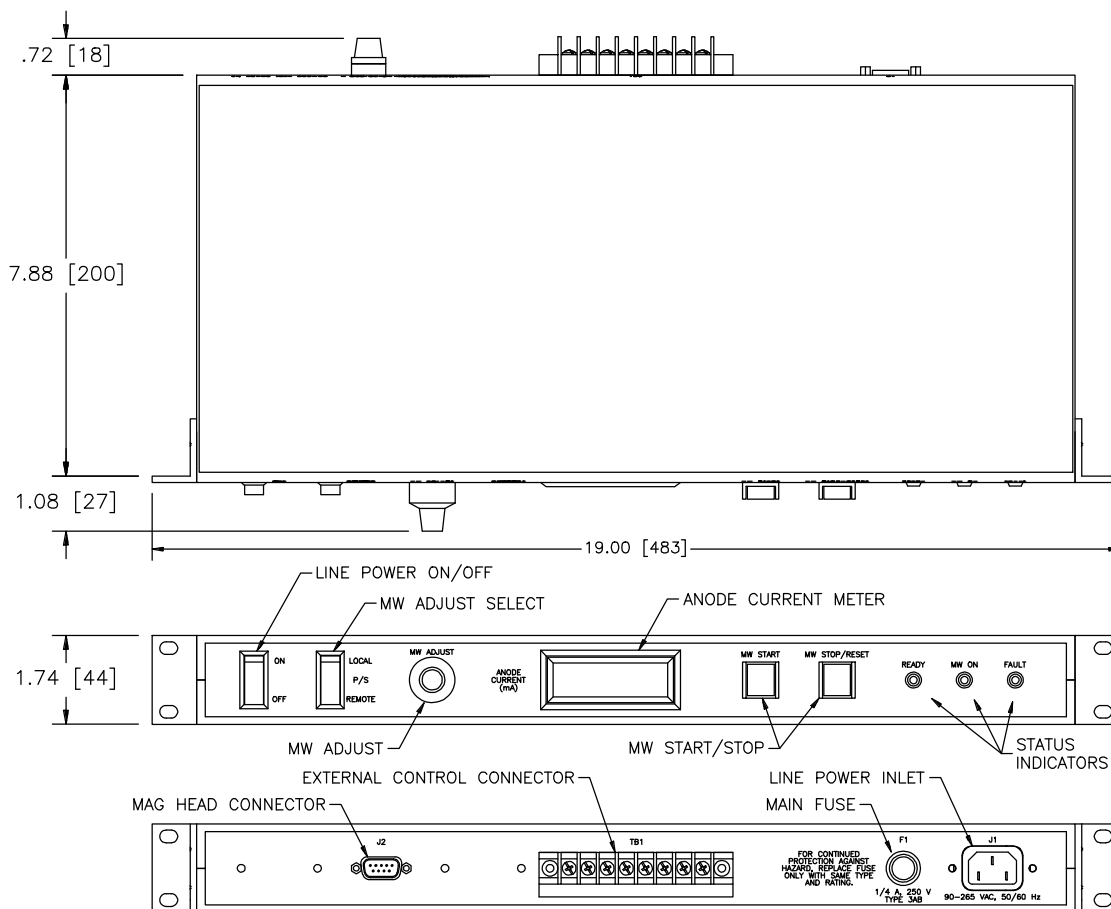
Description	GAE Model No.
1.8kW OEM Generator, CPR284	GA4325
1.8kW OEM Generator, WR340	GA4319

The GA4206 provides complete manual control of the microwave generator and displays its operational status. Connections are also provided for external remote control by PLC, microcomputer or other automatic controls. The enclosure includes angle brackets for mounting in a standard 19" NEMA rack cabinet. A power cord and 10-ft I/O interconnect cable are included.



General Specifications:

Input Line Power	90-265 VAC, 50/60 Hz, 1/4 Amp	Control Functions	Mw Start (pushbutton) Mw Stop/Reset (pushbutton) Mw Power Adjust (10-turn dial) Local/PS/Remote Adjust Select (rocker)
Connections	Line Power: DIN style inlet Control: 9-pin male D-sub External Control: 8-contact terminal block	Indicators	Magnetron Anode Current (digital meter) System Ready (LED) Microwave On (LED) Fault (LED)
Dimensions		Dimensions	1.74" (1U) high x 19" wide x 8.6" deep (behind front panel)



GERLING APPLIED
ENGINEERING, INC.

© 2007-2008 Gerling Applied Engineering, Inc.
PO Box 580816 • Modesto, CA 95358 • USA
Phone: +1-209-527-8960 • Fax: +1-209-527-5385
E-mail: sales@2450MHz.com • Web: www.2450MHz.com