

# Microwave Generator Control Module, 3kW/6kW

GERLING

## Model GA4208

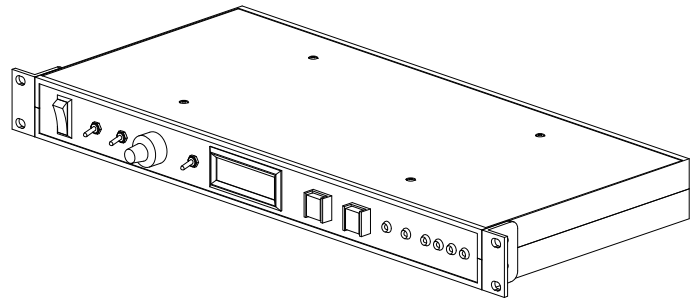
The model GA4208 Control Module is designed specifically for manual remote control of 3kW and 6kW OEM model microwave generators manufactured by GAE. The family of generators that can be operated by the GA4208 includes the following:

Description	GAE Model No.
3kW OEM Generator, WR340	GA4320
3kW OEM Generator, CPR284	GA4334
6kW OEM Generator, WR340	GA4332

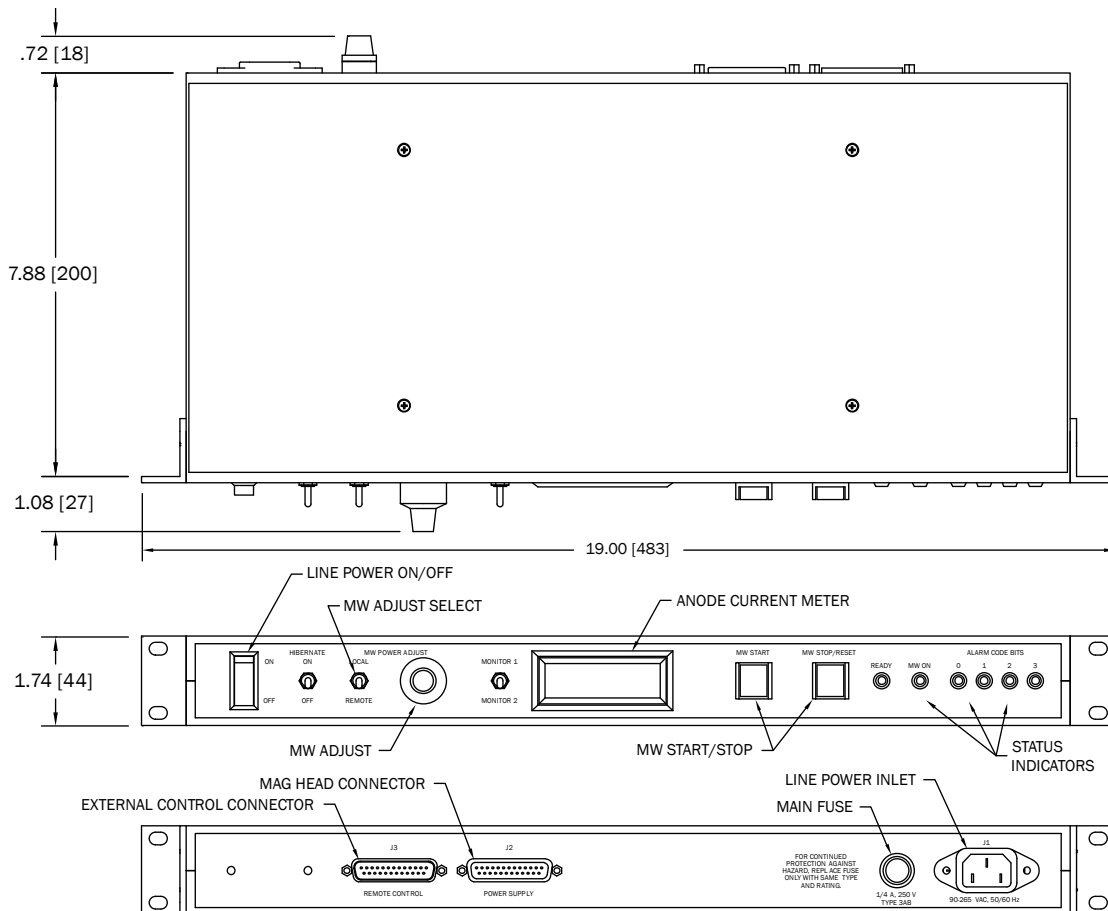
The GA4208 provides basic manual control functionality of the microwave generator and displays its operational status. Connections are also provided for external remote control by PLC, microcomputer or other automatic controls. The enclosure includes angle brackets for mounting in a standard 19" NEMA rack cabinet. A power cord and 10-ft I/O interconnect cable are included.

### General Specifications:

Input Line Power	90-265 VAC, 50/60 Hz, 1/4 Amp
Connections	Line Power: DIN style inlet Control: 9-pin male D-sub External Control: 8-contact terminal block
Dimensions	1.74" (1U) high x 19" wide x 8.6" deep (behind front panel)



Indicators	Magnetron Anode Current and Voltage (digital meter) System Ready (LED) Microwave On (LED) Fault Code (LED)
Control Functions	Mw Start (pushbutton) Mw Stop/Reset (pushbutton) Mw Power Adjust (10-turn dial) Local/Remote Select (toggle) Hibernate On/Off (toggle) Meter Function Select (toggle) Line Power On/Off (rocker)



GERLING APPLIED  
ENGINEERING, INC.

© 2013 Gerling Applied Engineering, Inc.  
PO Box 580816 • Modesto, CA 95358 • USA  
Phone: +1-209-527-8960 • Fax: +1-209-527-5385  
E-mail: sales@2450MHz.com • Web: www.2450MHz.com