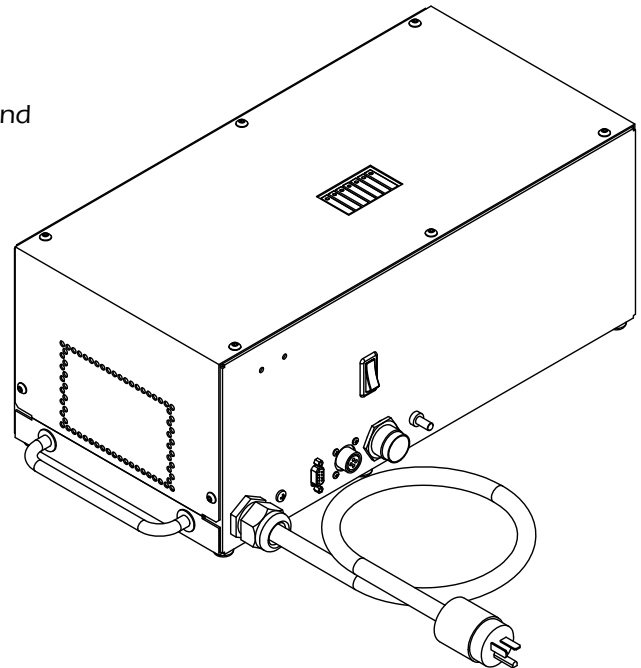
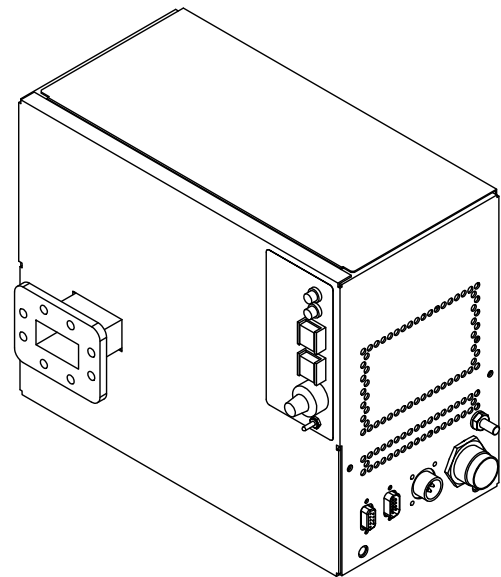


The model GA4307B Microwave Generator is a completely integrated system designed for high performance yet economical delivery of 5.8 GHz microwave power. Consisting of separate magnetron head and switch mode power supply modules, this user-friendly system is ideal for bench-top laboratory use with minimal requirements for installation and operation. All control functionality is located conveniently near the work area as well as available remotely for automated processing.

Installation, serviceability and operator safety were primary considerations in the design of the GA4307B system. Setup involves little more than locating the bench-mounted modules, attaching the waveguide and interconnect cables and plugging in the line power connector. Convenient mounting holes allow the equipment to be secured in place if necessary. Removal and replacement of the internal magnetron can be accomplished in less than ten minutes using standard tools. The system is designed to comply with all regulatory requirements for emissions and operator safety when used in the laboratory.

Both system modules are housed in attractive brushed stainless steel enclosures for a striking appearance and rugged durability. The complete system includes a standardized 10 ft. cable set for connecting between the magnetron head and power supply (alternate lengths may be specified by customer). Optionally, the interconnect cables and/or connector set may be ordered separately. Contact GAE for more detailed information on these and other available options and custom configurations.



### General Specifications:

Output Power (max)	700W (variable)
Magnetron	Panasonic M5801
Output Waveguide	WR159
Output Flange	CPR159F (UG-1731/U)
Frequency	5.8 GHz +/- 30 MHz
Cooling	Forced air by internal fan
Input Line Power	98-132 VAC, 60 Hz, 1-phase, 20 A max. (17 A @115 VAC)
Line Power Connector	NEMA 5-20P style plug with 10 ft. power cord
Controls	Main Power On-Off (circuit breaker) Mw Start (pushbutton switch) Mw Stop (pushbutton switch) Mw Power Adjust (10-turn dial) System Ready (Green indicator) HV On (Red indicator) Power Adjust Selector (toggle switch)
Interlocks	Access cover, Magnetron cooling, Magnetron over-temp
Construction	Brushed stainless steel enclosures, aluminum waveguide
Weight (approx.)	Magnetron Head: 24 lbs (11 kgm) Power Supply: 40 lbs (18 kgm)

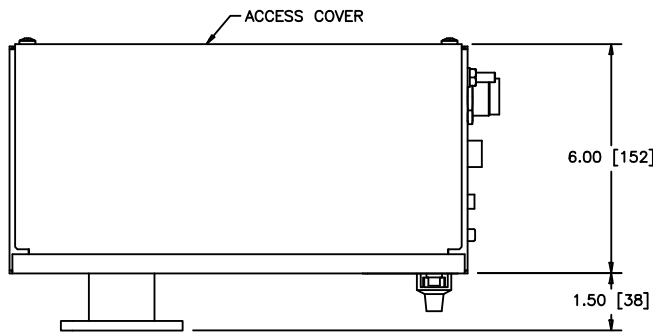
### Mating Connectors (supplied with cable set):

High Voltage	AMP 4-conductor LGH series
Fan & Filament Power	AMP 4-conductor CPC series
Control I/O	9-pin subminiature "D"
Remote Control	9-pin Male subminiature "D"

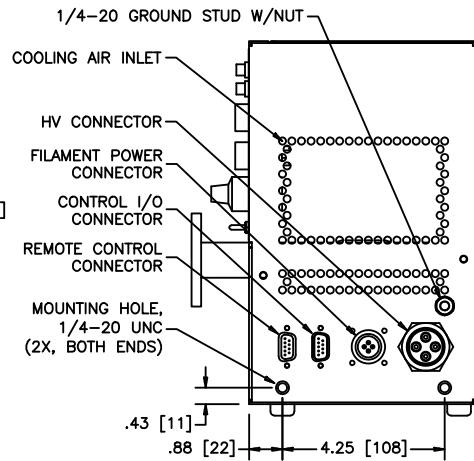
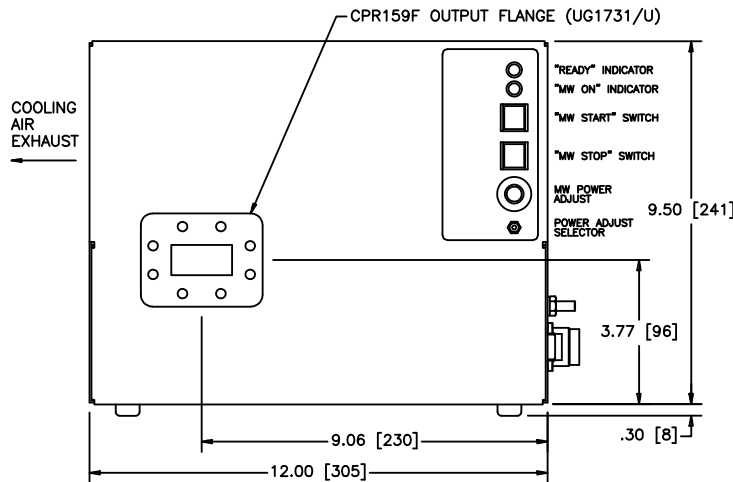
### Options:

- ◆ Alternate waveguide flange styles with threaded inserts, stud or captive fasteners
- ◆ Custom cable sets





MAGNETRON HEAD



POWER SUPPLY

