

3kW OEM Microwave Generator, 2.45 GHz, WR340

GERLING

Model GA4320A
Model GA4334A

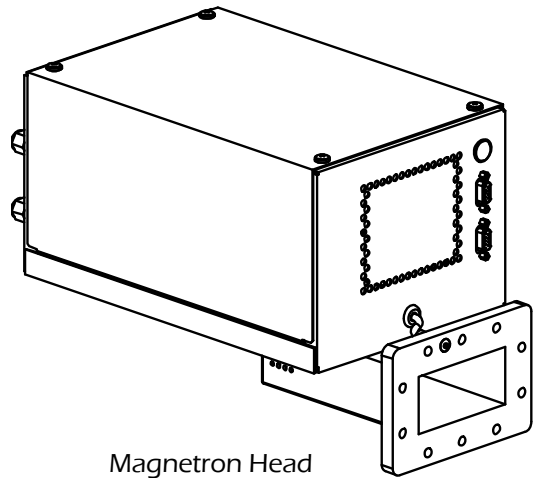
The 3kW OEM Microwave Generator is designed to deliver up to 3kW variable microwave power for industrial microwave heating applications. The system consists of a rack mounted power supply, remote magnetron head and interconnecting cable set for a turnkey user-friendly microwave generator. The magnetron head is specially designed for OEM system applications where small size and ease of maintenance are of primary importance.

Operation of the system is made possible by analog and digital remote control interfaces. Connections are also provided for external forward and reflected power sensing using model GA3301 power coupler interface modules (available separately).

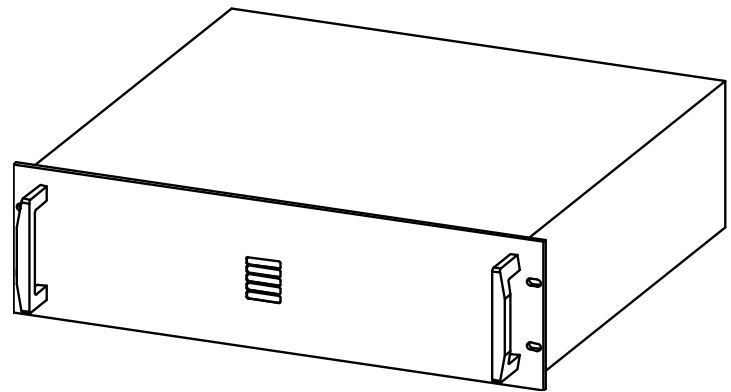
Installation, serviceability and operator safety were primary considerations in the design of the system. Setup involves little more than locating the power supply and magnetron head modules, attaching the waveguide and interconnect cables and plugging in the line power connector.

Convenient mounting holes allow the equipment to be secured in place if necessary. Removal and replacement of the internal magnetron can be accomplished quickly using standard tools. The system is designed to comply with all regulatory requirements for emissions and operator safety when used in industrial environments.

The magnetron head is housed in an attractive brushed stainless steel enclosure for a striking appearance and rugged durability. The complete system includes a standardized 10 ft. cable set for connecting between the magnetron head and power supply (alternate lengths may be specified by customer). Optionally, the interconnect cables and/or connector set may be ordered separately. Contact GAE for more detailed information on these and other available options and custom



Magnetron Head



Power Supply Module

General Specifications:

Output Power 3kW continuous, variable 10-100%

Magnetron Panasonic 2M265 (or equiv.)

Output Waveguide GA4320A: WR340
GA4334A: WR284

Output Flange GA4320A: CPR340 (UG-554/U)
GA4334A: CPR284 (UG1725/U)

Frequency 2.45 GHz +/- 30 MHz

Cooling MH: Water flow, 1.0 gpm @ 35°C max inlet temp (dew point min. inlet temp)
PS: Forced air by internal fans

Input Line Power 190-240 VAC, 50/60 Hz, 3-phase, 19 Amp/phase max (17 A @ 208 VAC)

Interlocks Access cover, Magnetron cooling, Magnetron over-temp

Remote Controls Mw Enable Input
Mw Power Reference Input
Forward Power Sense Output
Reflected Power Sense Output
Status Indicator Outputs
RS-232/RS-485 Interface

Local Controls

Status Indicators

Construction

MH: Brushed stainless steel enclosure, aluminum waveguide
PS: Aluminum rack-mount enclosure

Weight (approx.)

MH: 20 lbs (9 kgm)
PS: 38 lbs (17 kgm)

Options:

- ◆ Alternate waveguide flange styles with threaded inserts, stud or captive fasteners
- ◆ Custom cable sets

Accessories:

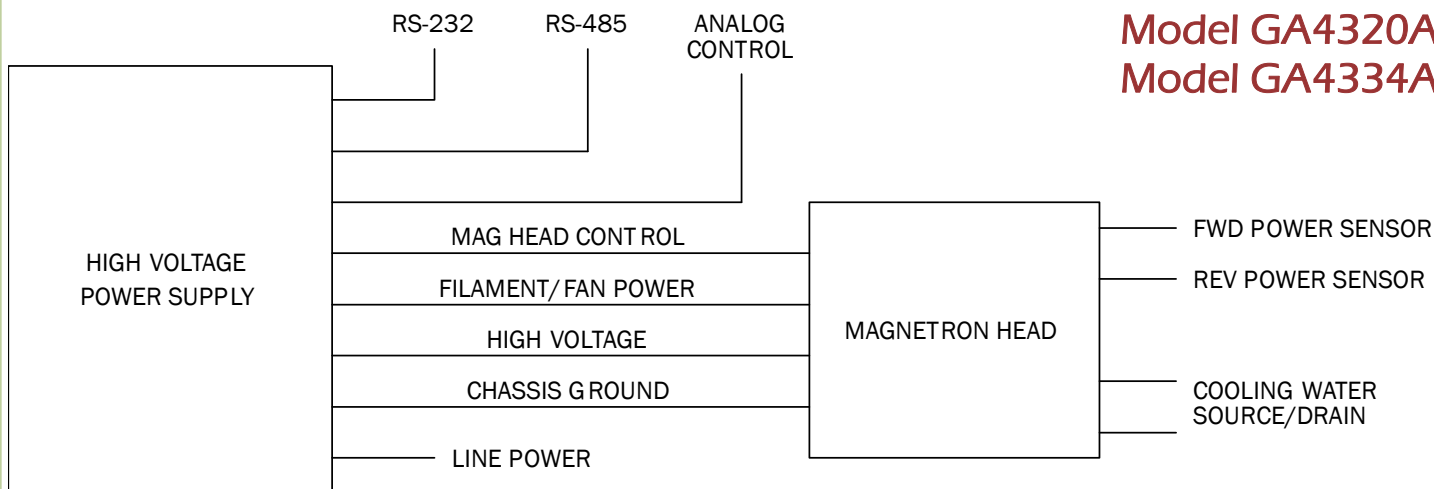
- ◆ Flange Hardware Kit, Model GA8409 (please see GA8409 specification for selection)
- ◆ Model GA3301 Coupler Power Interface



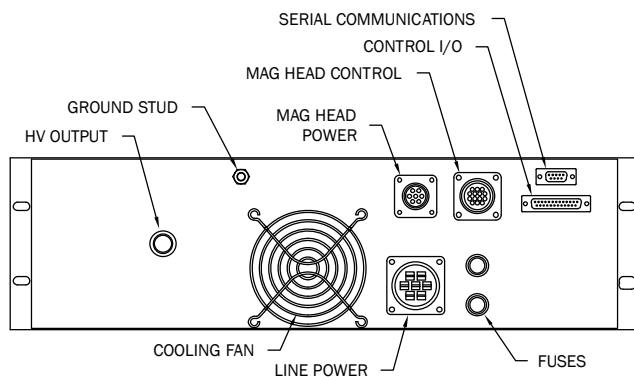
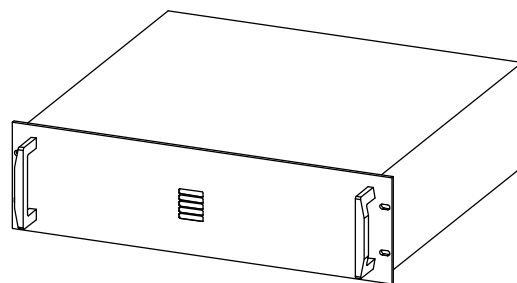
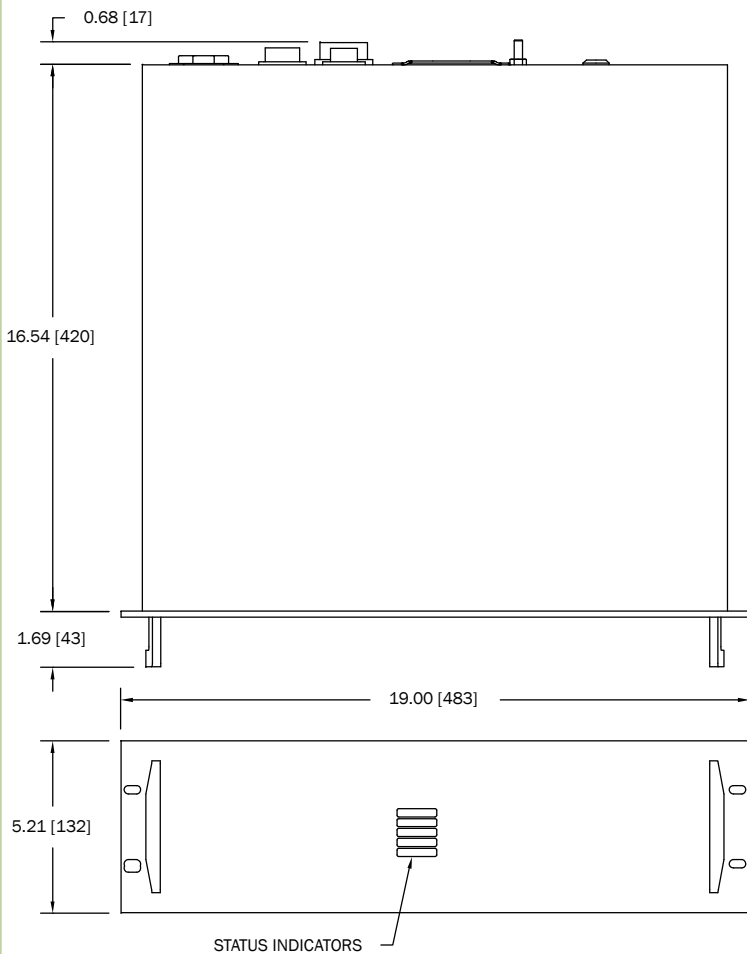
GERLING APPLIED
ENGINEERING, INC.

© 2007-2012 Gerling Applied Engineering, Inc.
PO Box 580816 • Modesto, CA 95358 • USA
Phone: +1-209-527-8960 • Fax: +1-209-527-5385
E-mail: sales@2450MHz.com • Web: www.2450MHz.com

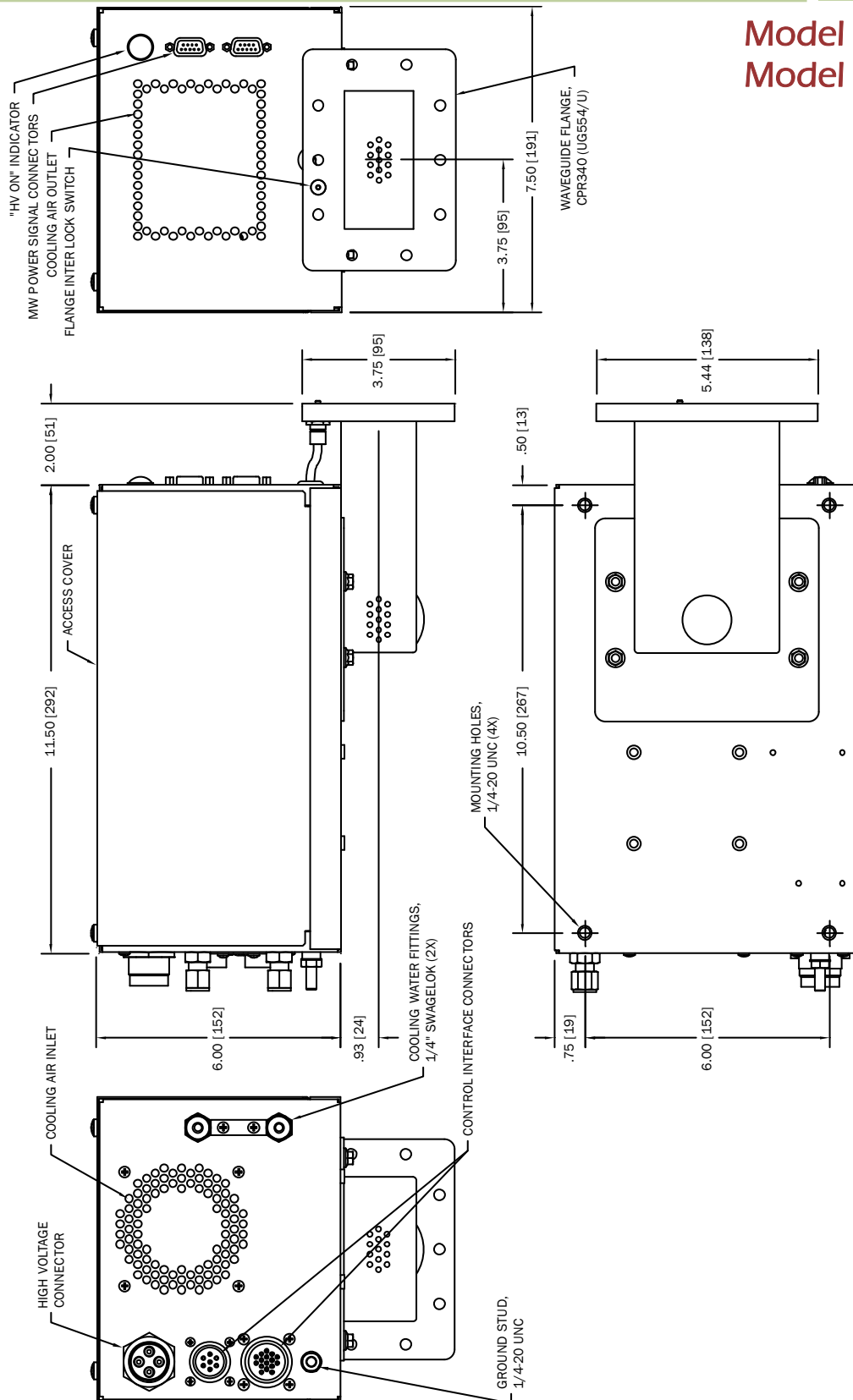
Model GA4320A
Model GA4334A



System Interconnect Diagram



Power Supply Module

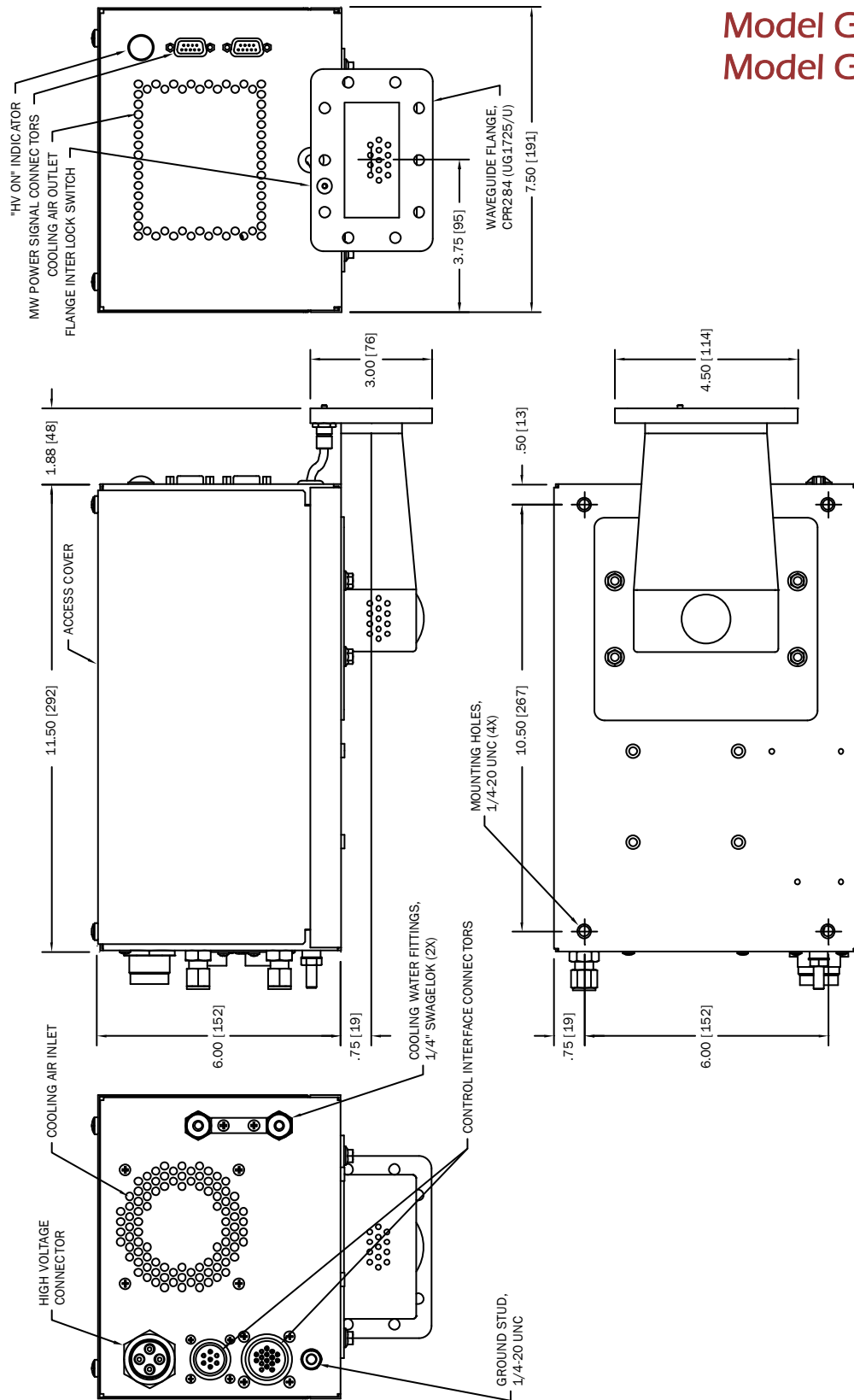


Magnetron Head (Model GA4320A)

3kW OEM Microwave Generator, 2.45 GHz, WR340

GERLING

Model GA4320A
Model GA4334A



Magnetron Head (Model GA4334A)



GERLING APPLIED
ENGINEERING, INC.

© 2007-2012 Gerling Applied Engineering, Inc.
PO Box 580816 • Modesto, CA 95358 • USA
Phone: +1-209-527-8960 • Fax: +1-209-527-5385
E-mail: sales@2450MHz.com • Web: www.2450MHz.com

All dimensions are in inches [millimeters].