

5.8 GHz OEM Microwave Generator

GERLING

Model GA4322

The 5.8 GHz OEM Microwave Generator System is designed for use with industrial process equipment requiring a high performance yet economical source of 5.8 GHz microwave energy. Consisting of separate magnetron head and switch mode power supply modules, this OEM system is easily integrated into production equipment with minimal design effort. All control functionality is provided remotely by the user to help reduce system cost.

The magnetron head meets safety compliance requirements regardless of location within a system, while the power supply requires installation inside a compliant enclosure. The magnetron is constructed of stainless steel for a striking appearance and rugged durability. Convenient mounting holes facilitate equipment integration of both modules.

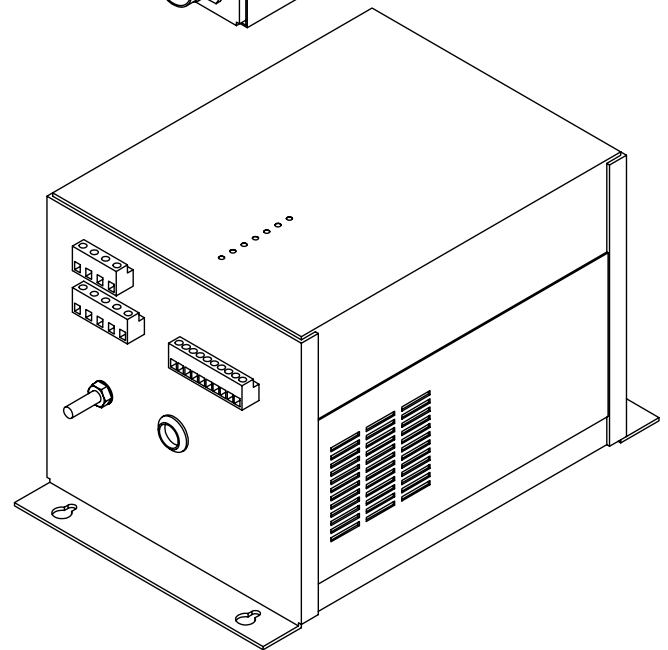
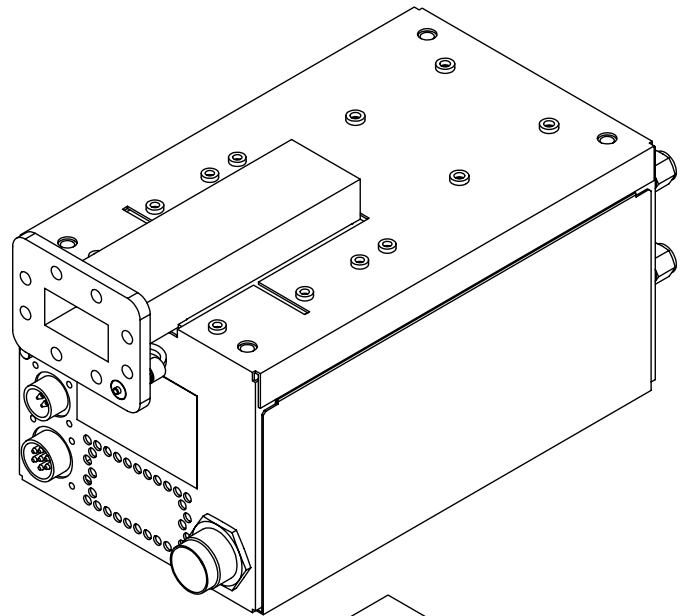
Safety and serviceability were primary considerations in design of the OEM system. User- and service-friendly features include:

- ◆ Multiple interlock devices protect against exposure to high power microwave energy and hazardous voltages.
- ◆ Removal and replacement of the internal magnetron can be accomplished quickly using standard tools.
- ◆ Captive hardware used for all fasteners relating to magnetron removal, thus preventing loss or misuse of loose hardware.

The complete system includes mating connectors and a standardized 6 ft. cable harness for connecting between the magnetron head and power supply (custom lengths may be specified). Optionally, the interconnect cables and/or connector set may be ordered separately. Contact GAE for more detailed information on these and other available options and custom configurations.

General Specifications:

| | |
|--------------------|---|
| Output Power (max) | 700 Watts (10-100% continuously variable) |
| Magnetron | Water-cooled Panasonic M5801 |
| Output Waveguide | WR159 (RG344/U) |
| Output Flange | CPRF (UG1731/U) |
| Frequency | 5800 MHz +/- 30 MHz |
| Cooling | MH: Water @ 0.5 gpm PS: Forced air by internal fan |
| Input Power | 195-253 VAC, 50/60 Hz, single-phase, 11 A max.(8.5A @ 230 VAC) |
| Remote Controls | Mw Enable (8-30 VDC input) Mw Adjust (0-10 VDC input) Mw Power Ref. (0-10 VDC output) Alarm relay contact (N.O.) Interlock Loop |
| Interlocks | Waveguide flange; Access cover; Magnetron over-temp |



Options:

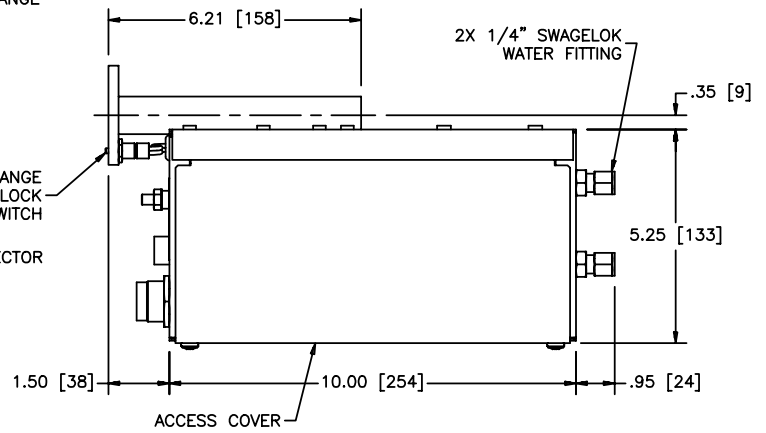
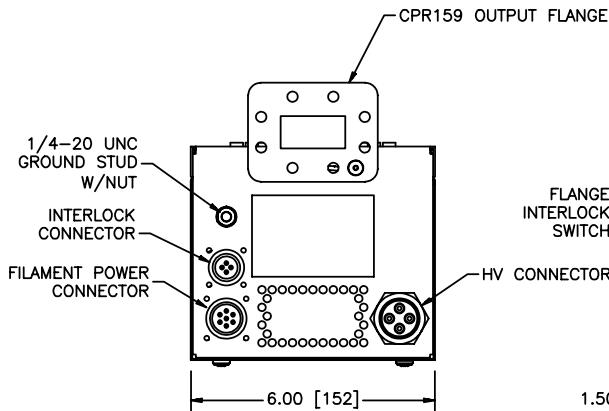
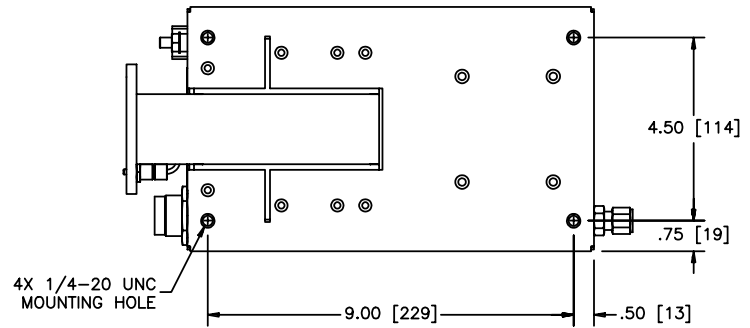
- ◆ GAE's popular quick-disconnect (Q-D) style waveguide flange
- ◆ Captive flange fasteners
- ◆ Threaded flange holes or studs
- ◆ Custom cable sets



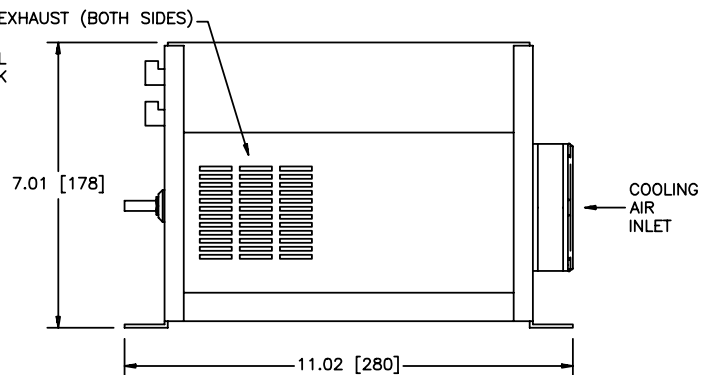
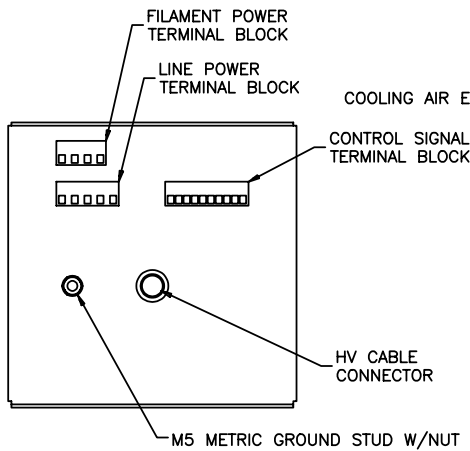
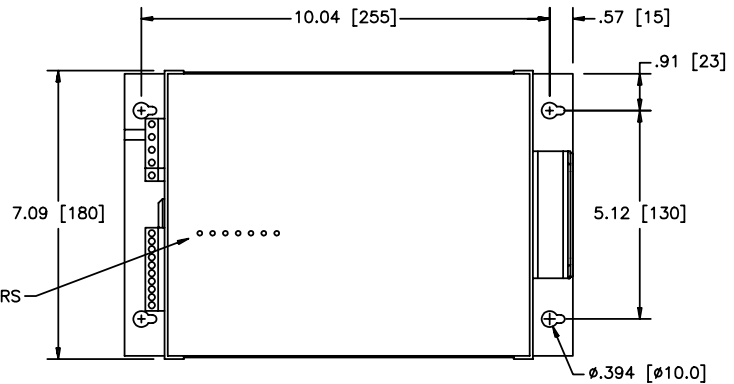
GERLING APPLIED
ENGINEERING, INC.

© 2006 Gerling Applied Engineering, Inc.
PO Box 580816 ▪ Modesto, CA 95358 ▪ USA
Phone: +1-209-527-8960 ▪ Fax: +1-209-527-5385
E-mail: sales@5800MHz.com ▪ Web: www.5800MHz.com

MAGNETRON HEAD



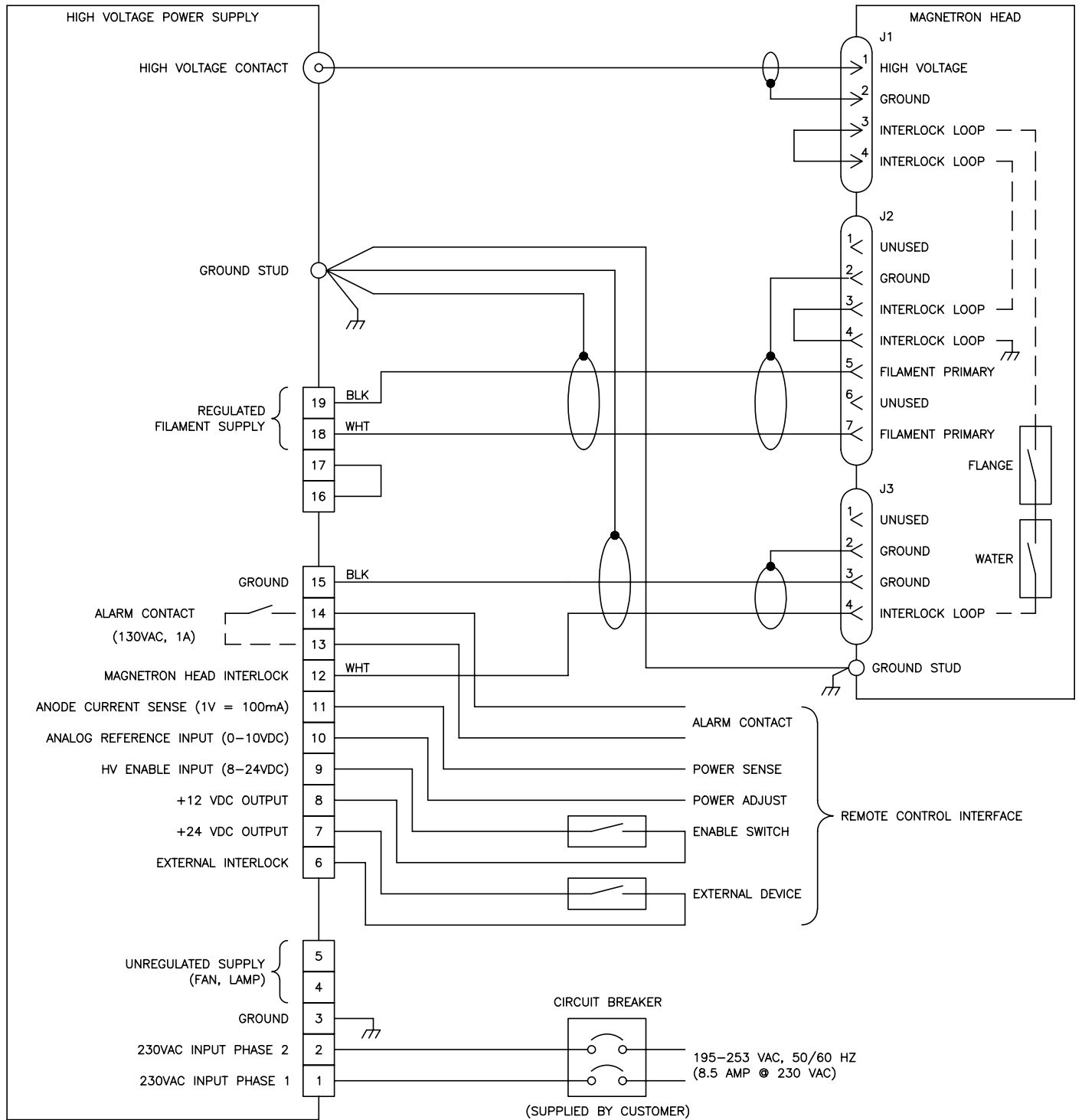
POWER SUPPLY



5.8 GHz OEM Microwave Generator



Model GA4322



GERLING APPLIED
ENGINEERING, INC.

© 2006 Gerling Applied Engineering, Inc.
PO Box 580816 • Modesto, CA 95358 • USA
Phone: +1-209-527-8960 • Fax: +1-209-527-5385
E-mail: sales@5800MHz.com • Web: www.5800MHz.com

All dimensions are in inches [millimeters].