

# 2kW OEM Microwave Generator, 2.45 GHz, Air Cooled

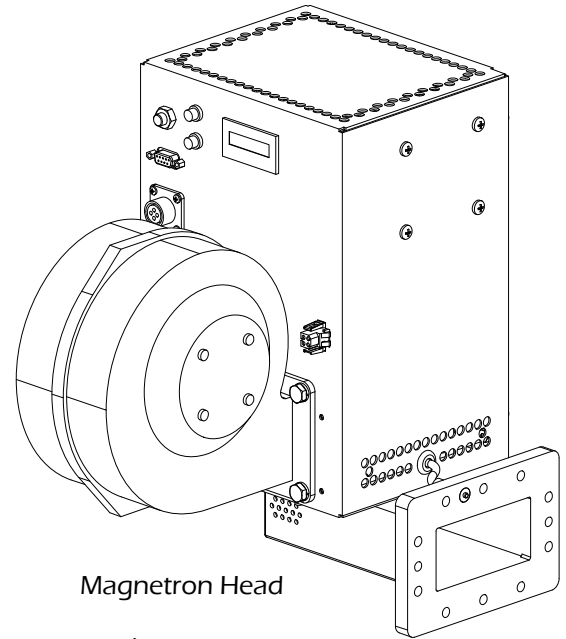
GERLING

Model GA4338A  
Model GA4340A

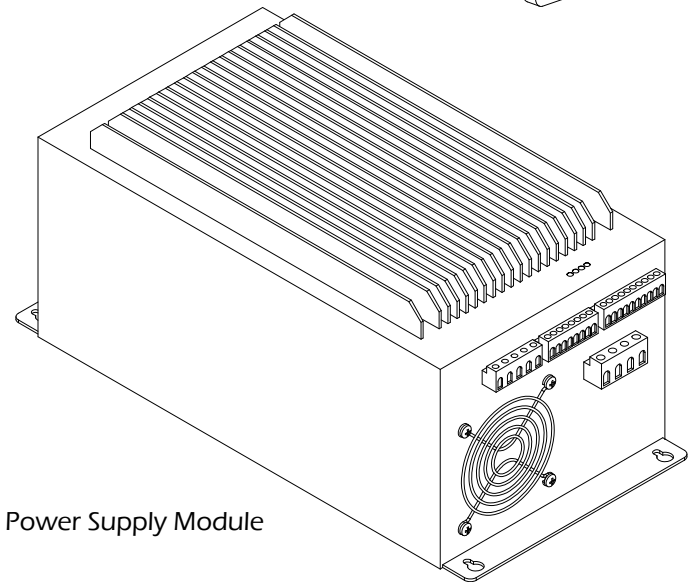
The models GA4338 and GA4340 microwave generator are designed to deliver up to 2kW variable microwave power for industrial microwave heating applications. This system consists of a panel mounted power supply, remote magnetron head and interconnecting cable set for a turnkey user-friendly microwave generator. The magnetron head is specially designed for OEM system applications where small size and ease of maintenance are of primary importance. Operation of the microwave generator is by an analog control interface.

Installation, serviceability and operator safety were primary considerations in the design of the microwave generator. Setup involves little more than locating the power supply and magnetron head modules, attaching the waveguide and interconnect cables and plugging in the line power connector. Convenient mounting holes allow the equipment to be secured in place if necessary. Removal and replacement of the internal magnetron can be accomplished quickly using standard tools. The system is designed to comply with all regulatory requirements for emissions and operator safety when used in industrial environments.

The magnetron head is housed in an attractive brushed stainless steel enclosures for a striking appearance and rugged durability. The complete system includes a standardized 10 ft. cable set for connecting between the magnetron head and power supply (alternate lengths may be specified by customer). Optionally, the interconnect cables and/or connector set may be ordered separately. Contact GAE for more detailed information on these and other available options and custom configurations.



Magnetron Head



Power Supply Module

## General Specifications:

Output Frequency	2.45 GHz +/- 30 MHz
Output Power	2kW continuous
Output Control	Continuously variable 10-100%
Output Ripple	<5% of full power
Regulation:	<1% for +/- 10% line voltage variation
Magnetron	Hitachi 2M130 (or equivalent)
Output Waveguide	GA4338: WR340 GA4340: WR284
Output Flange	GA4338: WR340 (UG-1713/U) GA4340: CPR284 (UG-1725/U)
Cooling	Forced air by internal fans
Input Line Power	360-440 VAC, 50/60 Hz, 3-phase, 7 Amp/phase max (@ 400 VAC)
Remote Controls	Mw Enable Input (+24 VDC) Power Control Input (0-10 VDC) Anode Current Output (0-10 VDC) System Ready Output (+24 VDC) External Interlock (dry contacts)
Local Controls	Microwave-On Status Indicator (LED)
Interlocks	Access cover, Magnetron cooling, Magnetron over-temp

Construction	MH: Brushed stainless steel enclosure, aluminum waveguide PS: Aluminum panel-mount enclosure
Weight (approx.)	MH: 15 lbs (7 kgm) PS: 22 lbs (10 kgm)

## Accessories:

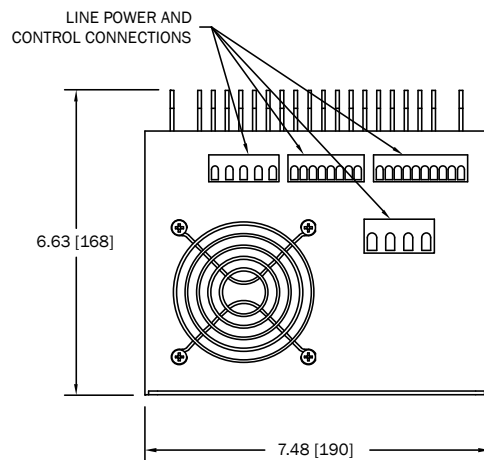
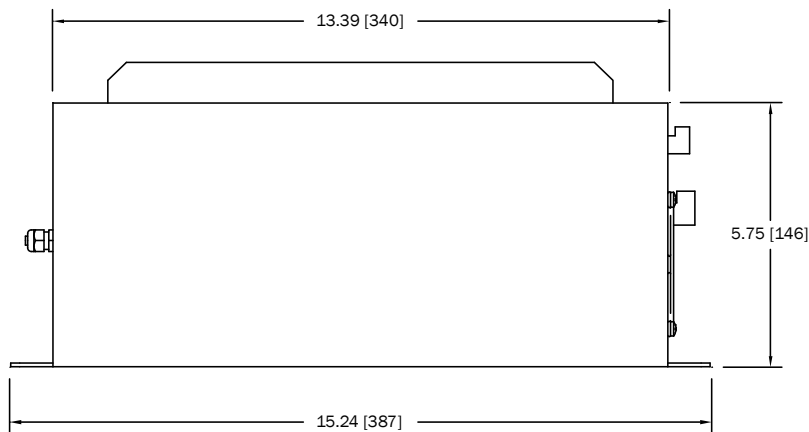
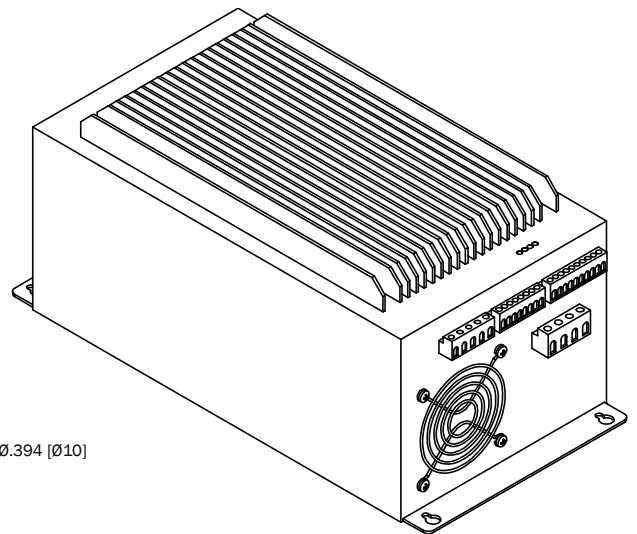
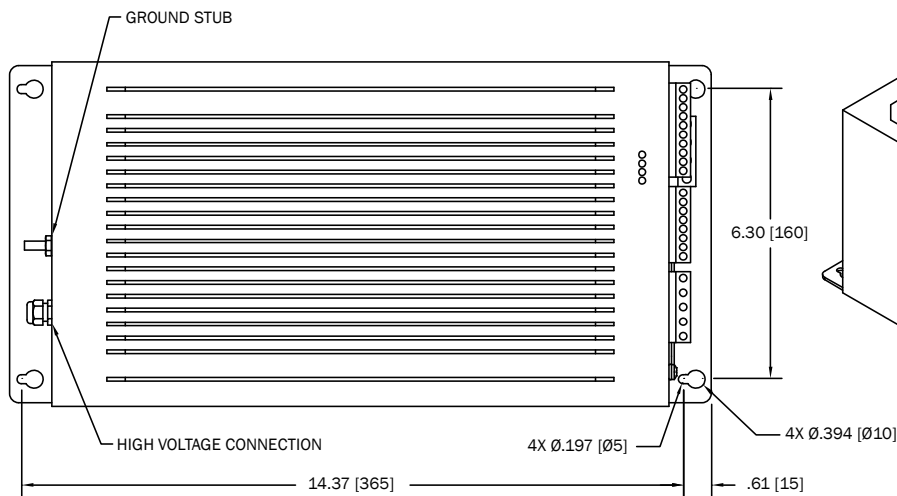
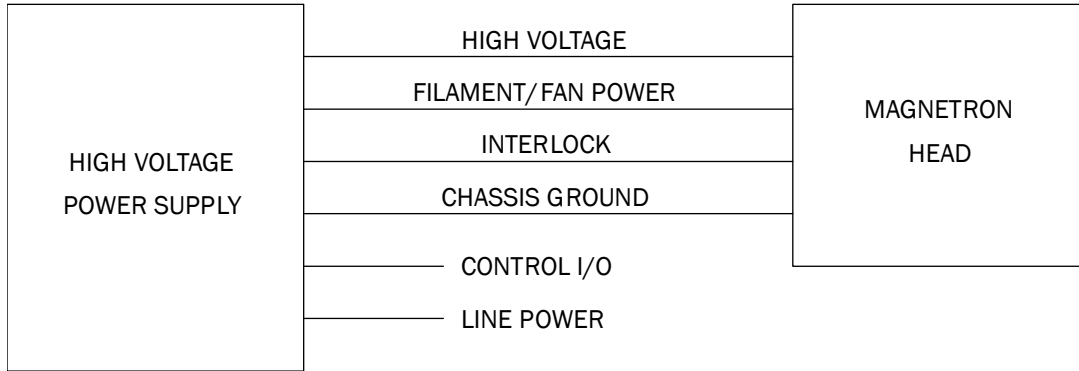
- ◆ Flange Hardware Kit, Model GA8409 (please see GA8409 specification for selection)



GERLING APPLIED  
ENGINEERING, INC.

© 2014-2015 Gerling Applied Engineering, Inc.  
PO Box 580816 • Modesto, CA 95358 • USA  
Phone: +1-209-527-8960 • Fax: +1-209-527-5385  
E-mail: sales@2450MHz.com • Web: www.2450MHz.com

## SYSTEM INTERCONNECT DIAGRAM



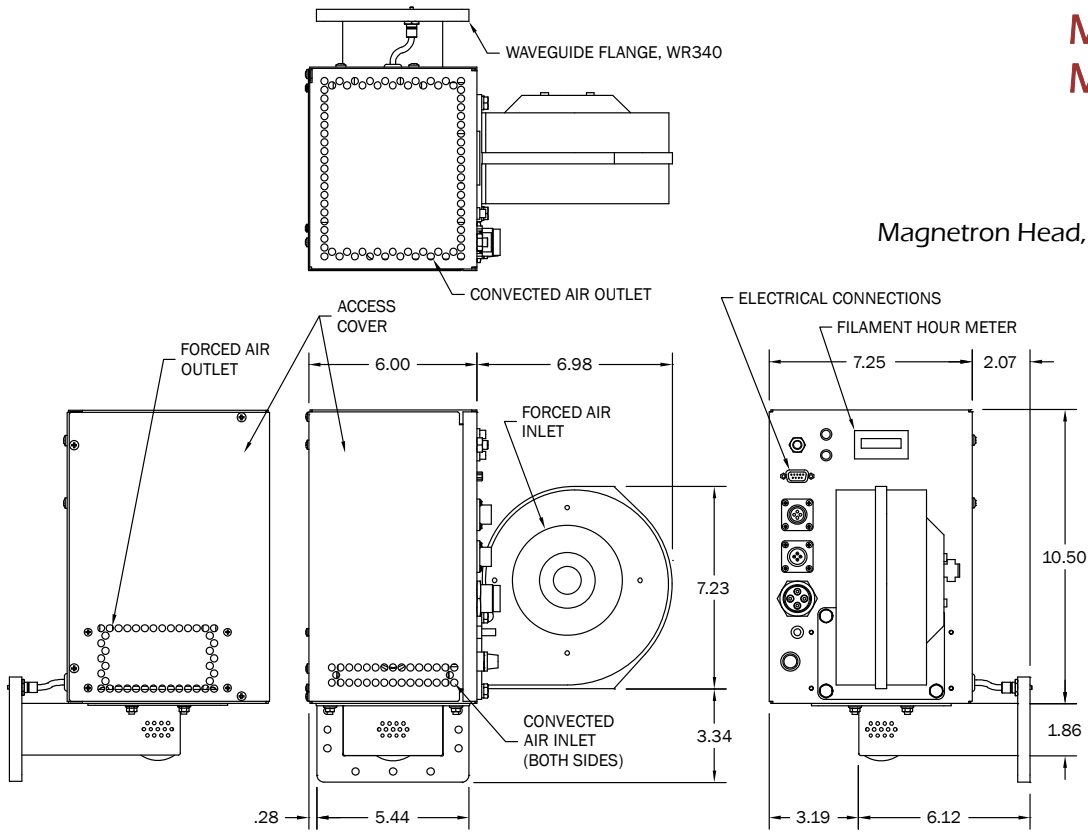
Power Supply Module

# 2kW OEM Microwave Generator, 2.45 GHz, Air Cooled

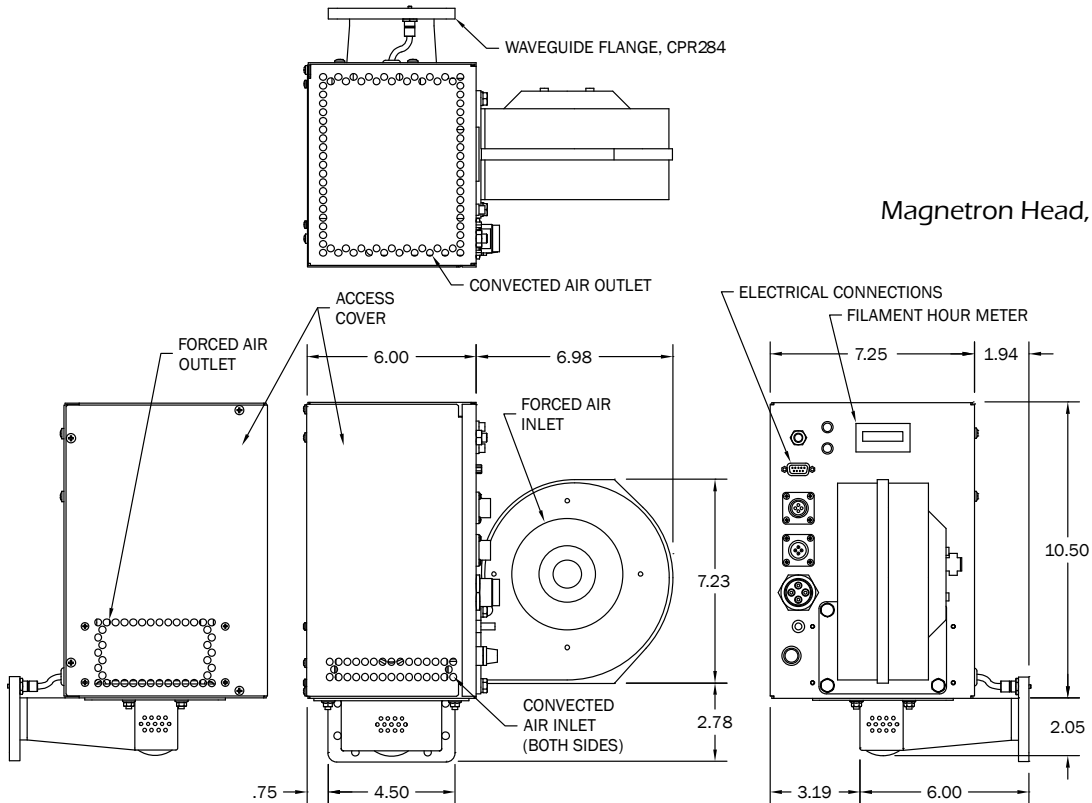
GERLING

Model GA4338A  
Model GA4340A

Magnetron Head, WR340



Magnetron Head, CPR284



GERLING APPLIED  
ENGINEERING, INC.

© 2014-2015 Gerling Applied Engineering, Inc.  
PO Box 580816 • Modesto, CA 95358 • USA  
Phone: +1-209-527-8960 • Fax: +1-209-527-5385  
E-mail: sales@2450MHz.com • Web: www.2450MHz.com

All dimensions are in inches [millimeters].