

# 1.8kW OEM Microwave Generator, 2.45 GHz

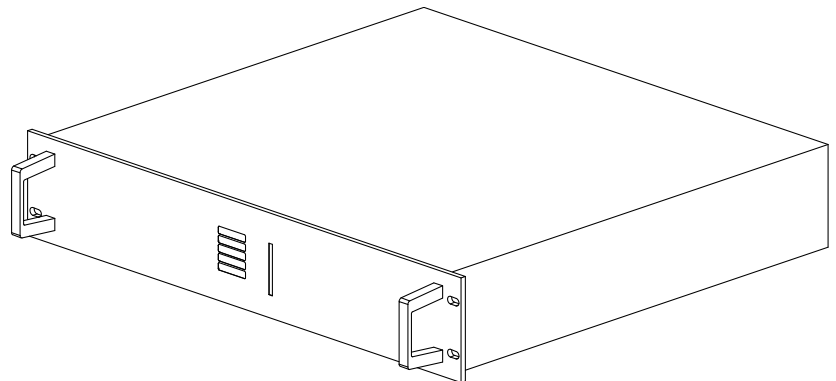
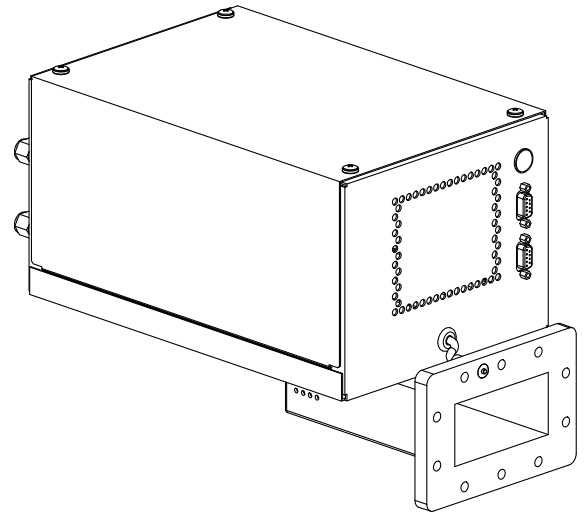


## Model GA4345 Model GA4346

The models GA4345 and GA4346 microwave generators are designed to deliver up to 1.8kW variable microwave power for industrial microwave heating applications. These systems consist of a rack mounted power supply, remote magnetron head and interconnecting cable set for a turnkey user-friendly microwave generator. The magnetron head is specially designed for OEM system applications where small size and ease of maintenance are of primary importance. The power supply module combines state-of-the-art inverter technology with advanced microprocessor control circuitry and power factor correction to provide high performance and efficient operation in a compact and light weight package.

Installation, serviceability and operator safety were primary considerations in the design of the microwave generator. Setup involves little more than locating the power supply and magnetron head modules, attaching the waveguide and interconnect cables and plugging in the line power connector. Convenient mounting holes allow the equipment to be secured in place if necessary. Removal and replacement of the internal magnetron can be accomplished quickly using standard tools. The system is designed to comply with all regulatory requirements for emissions and operator safety when used in industrial environments.

The magnetron head is housed in an attractive brushed stainless steel enclosure for a striking appearance and rugged durability. The complete system includes a standardized 10 ft. cable set for connecting between the magnetron head and power supply (alternate lengths may be specified by customer). The interconnect cables and/or connector set may be ordered separately. Contact GAE for more detailed information on these and other available options and custom configurations.



### General Specifications:

Output Frequency	2.45 GHz +/- 30 MHz		
Output Power	1.8kW continuous		
Output Control	Continuously variable 10-100%	Local Controls	Power and Status Indicators (LED)
Output Ripple	<4.5% of full power	Interlocks	Access cover, Magnetron cooling, Magnetron over-temp
Regulation:	<1% for +/- 10% line voltage variation	Construction	MH: Brushed stainless steel enclosure, aluminum waveguide PS: Aluminum rack-mount enclosure
Magnetron	Water-cooled Hitachi 2M130	Weight (approx.)	MH: 15 lbs (7 kgm) PS: 31 lbs (14 kgm)
Output Waveguide	GA4345: WR284 GA4346: WR340	<b>Accessories:</b>	
Output Flange	GA4345: CPR284 (UG-1725/U) GA4346: WR340 (UG-1713/U)	◆ Flange Hardware Kit, Model GA8409 (refer to GA8409 specification for selection)	
Cooling	MH: Water flow, 0.5 gpm @ 35°C max inlet temp (dew point min. inlet temp) PS: Forced air by internal fans	◆ Coupler Power Interface, Model GA3301 (for use with "bus" option)	
Input Line Power	180-250 VAC, 50/60 Hz, 1-phase, 17 Amp max (@ 230 VAC)		
Remote Controls	Analog (standard) Modbus, CANopen or Profibus (optional)		



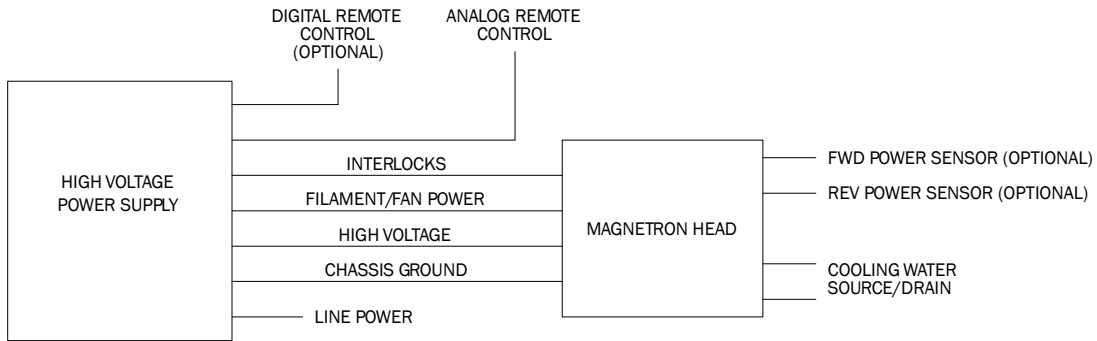
GERLING APPLIED  
ENGINEERING, INC.

© 2014-2015 Gerling Applied Engineering, Inc.  
PO Box 580816 • Modesto, CA 95358 • USA  
Phone: +1-209-527-8960 • Fax: +1-209-527-5385  
E-mail: sales@2450MHz.com • Web: www.2450MHz.com

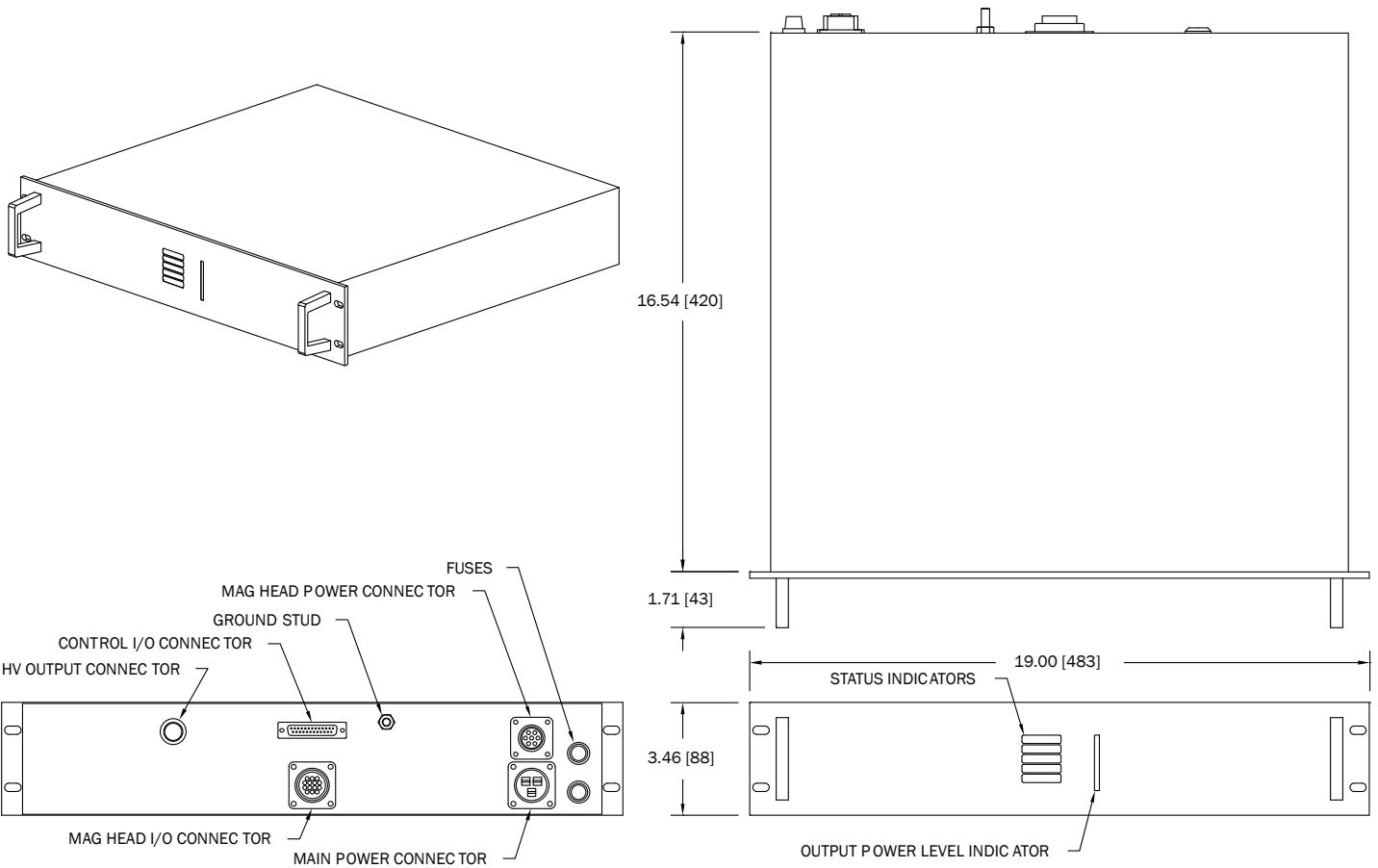
# 1.8kW OEM Microwave Generator, 2.45 GHz



**Model GA4345**  
**Model GA4346**



## SYSTEM INTERCONNECT DIAGRAM



Power Supply Module



**GERLING APPLIED ENGINEERING, INC.**

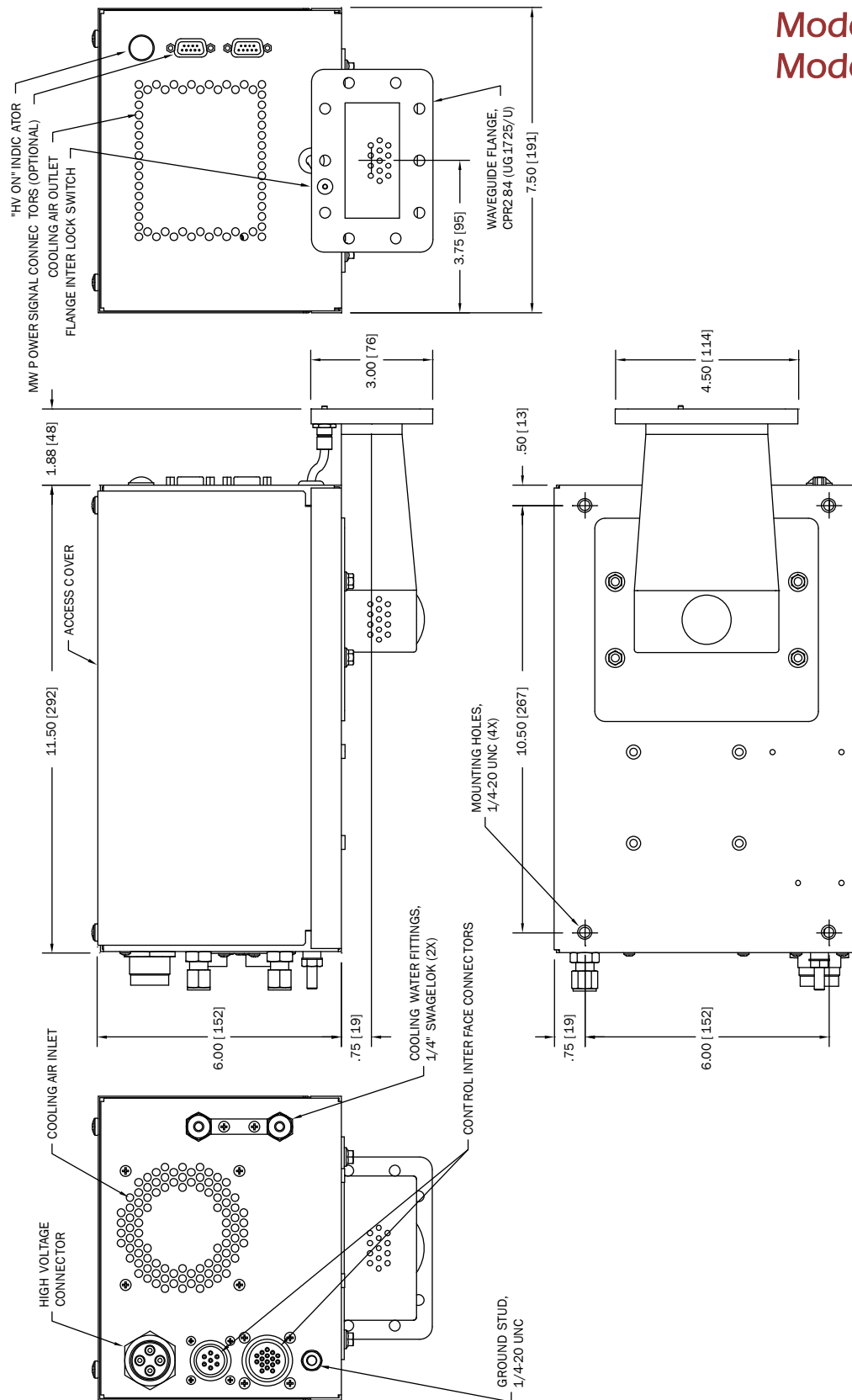
© 2014-2015 Gerling Applied Engineering, Inc.  
 PO Box 580816 • Modesto, CA 95358 • USA  
 Phone: +1-209-527-8960 • Fax: +1-209-527-5385  
 E-mail: sales@2450MHz.com • Web: www.2450MHz.com

All dimensions are in inches [millimeters].

# 1.8kW OEM Microwave Generator, 2.45 GHz



**Model GA4345**  
**Model GA4346**



Magnetron Head, CPR284



**GERLING APPLIED  
ENGINEERING, INC.**

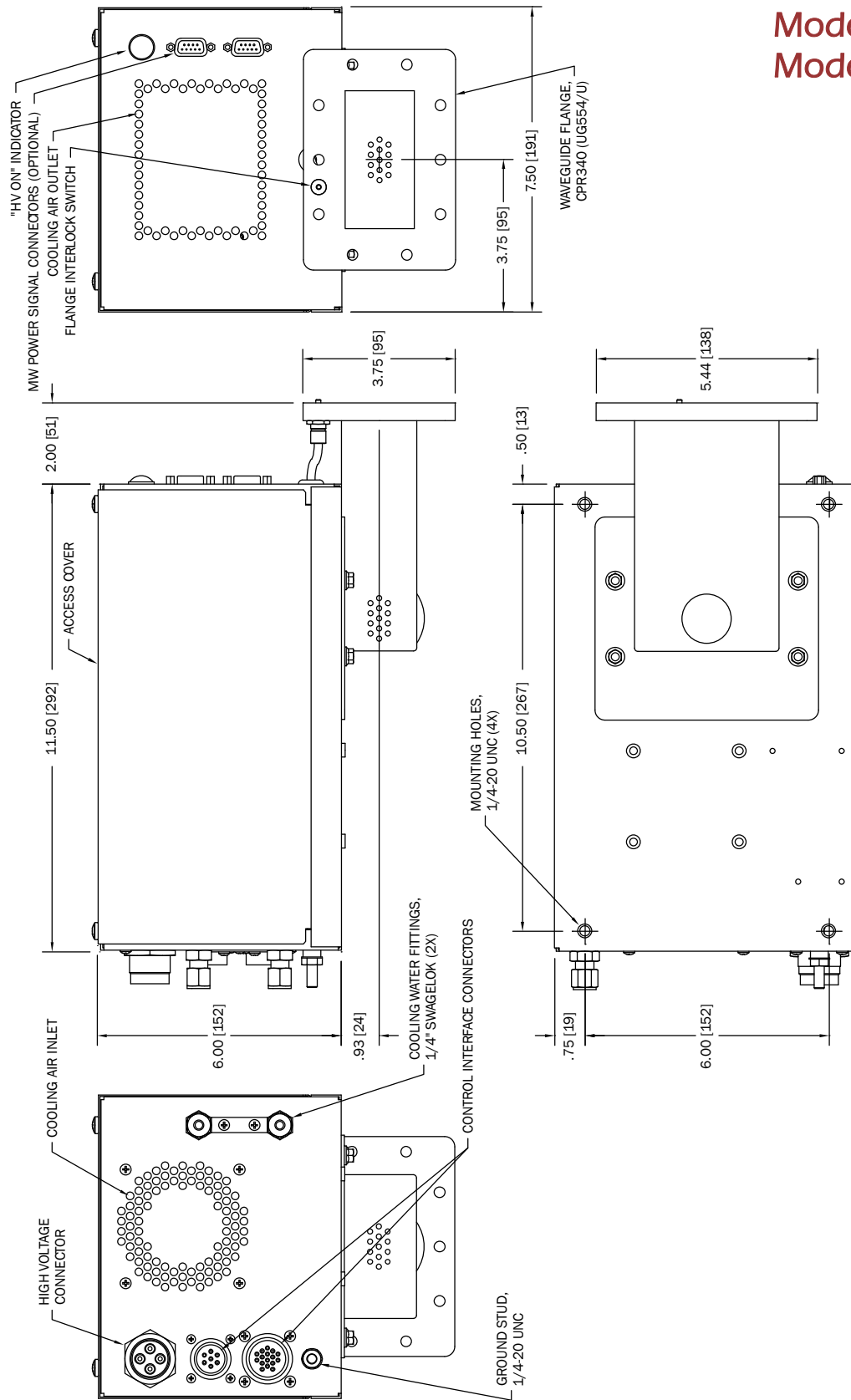
© 2014-2015 Gerling Applied Engineering, Inc.  
PO Box 580816 • Modesto, CA 95358 • USA  
Phone: +1-209-527-8960 • Fax: +1-209-527-5385  
E-mail: sales@2450MHz.com • Web: www.2450MHz.com

All dimensions are in inches [millimeters].

# 1.8kW OEM Microwave Generator, 2.45 GHz



Model GA4345  
Model GA4346



Magnetron Head, WR340



GERLING APPLIED  
ENGINEERING, INC.

© 2014-2015 Gerling Applied Engineering, Inc.  
PO Box 580816 • Modesto, CA 95358 • USA  
Phone: +1-209-527-8960 • Fax: +1-209-527-5385  
E-mail: sales@2450MHz.com • Web: www.2450MHz.com

All dimensions are in inches [millimeters].