

1.2kW OEM Microwave Generator, Low Ripple, 2.45 GHz

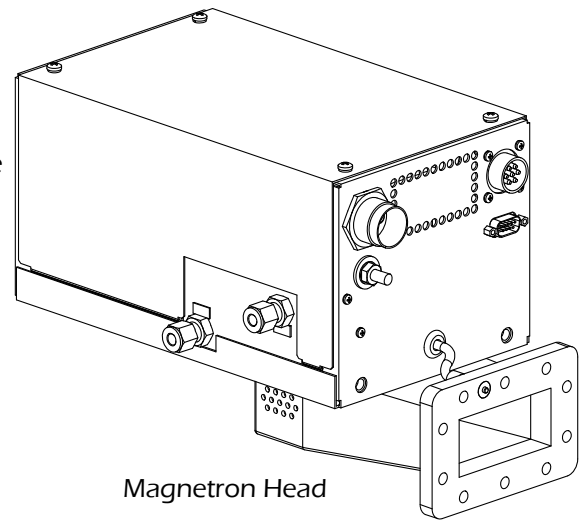
GERLING

Model GA4350
Model GA4351

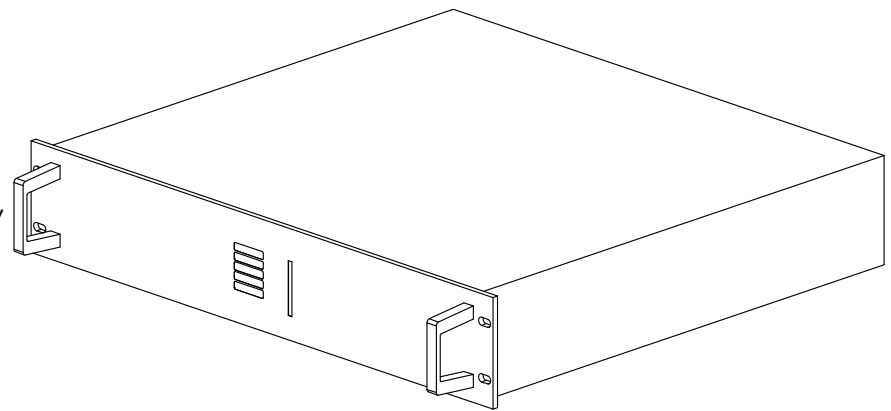
The model GA4350 and GA4351 microwave generators are designed to deliver up to 1.2kW low ripple microwave power for industrial microwave heating applications. The systems consist of a rack mounted power supply, remote magnetron head and interconnecting cable set for a turnkey user-friendly microwave generator. The magnetron head is specially designed for OEM system applications where small size and ease of maintenance are of primary importance. The power supply module combines state-of-the-art inverter technology with advanced microprocessor control circuitry and power factor correction to provide high performance and efficient operation in a compact and light weight package. Both models are operated by an analog remote control interface.

Installation, serviceability and operator safety were primary considerations in the design of the GA4350 and GA4351 systems. Setup involves simply locating the power supply and magnetron head modules, attaching the waveguide and interconnect cables and plugging in the line power connector. Convenient mounting holes allow the equipment to be secured in place if necessary. Removal and replacement of the internal magnetron can be accomplished quickly using standard tools. The system is designed to comply with all regulatory requirements for emissions and operator safety when used in industrial environments.

The magnetron head is housed in an attractive brushed stainless steel enclosure for a striking appearance and rugged durability. The complete system includes a standardized 10 ft. cable set for connecting between the magnetron head and power supply (alternate lengths may be specified by customer). The interconnect cables and/or connector set may be ordered separately. Contact GAE for more detailed information on these and other available options and custom configurations.



Magnetron Head



Power Supply Module

General Specifications:

Output Frequency	2.45 GHz +/- 30 MHz
Output Power	1.2kW continuous
Output Control	Continuously variable 10-100%
Output Ripple	<4% of full power
Regulation:	<1% for +/- 10% line voltage variation
Magnetron	Water-cooled Panasonic 2M137
Output Waveguide	GA4350: WR284 GA4351: WR340
Output Flange	GA4350: CPR284 (UG1725/U) GA4351: WR340 (UG-1713/U)
Cooling	0.5 gpm @ 35°C max inlet temp (dew point minimum inlet temp)
Input Line Power	180-250 VAC, 50/60 Hz, 1-phase, 12 Amp max (@ 230 VAC)
Remote Controls	Analog

Local Controls	Power and Status Indicators (LED)
Interlocks	Access cover, Magnetron cooling, Magnetron over-temp
Construction	Mag Head: Brushed stainless steel enclosure, aluminum waveguide Power Supply: Aluminum rack-mount enclosure
Weight (approx.)	Mag Head: 10 lbs (4.5 kgm) Power Supply: 26 lbs (12 kgm)

Accessories:

- ♦ Flange Hardware Kit, Model GA8409 (please see GA8409 specification for selection)



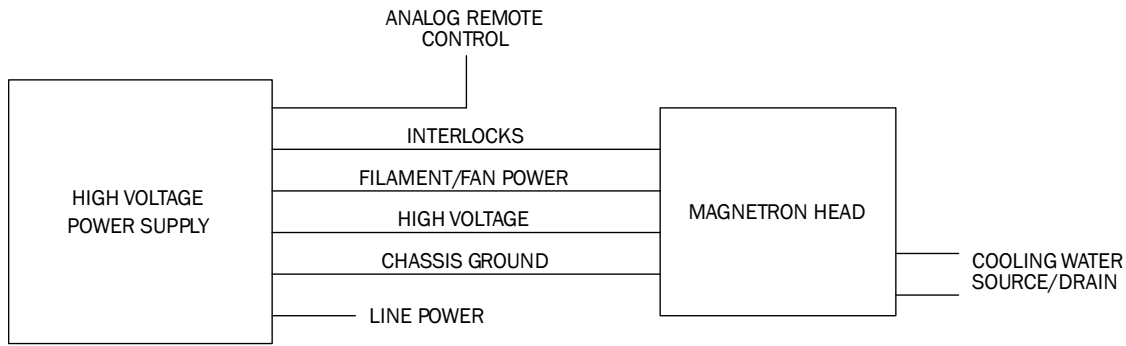
GERLING APPLIED
ENGINEERING, INC.

© 2015 Gerling Applied Engineering, Inc.
PO Box 580816 • Modesto, CA 95358 • USA
Phone: +1-209-527-8960 • Fax: +1-209-527-5385
E-mail: sales@2450MHz.com • Web: www.2450MHz.com

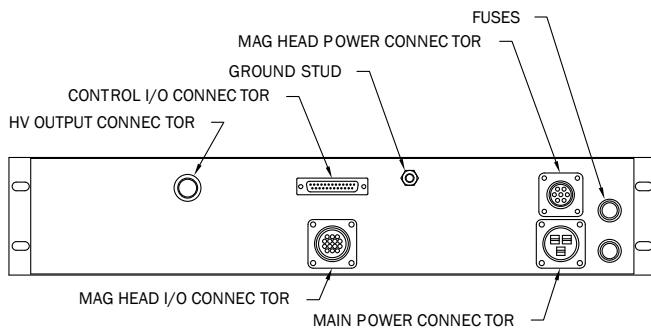
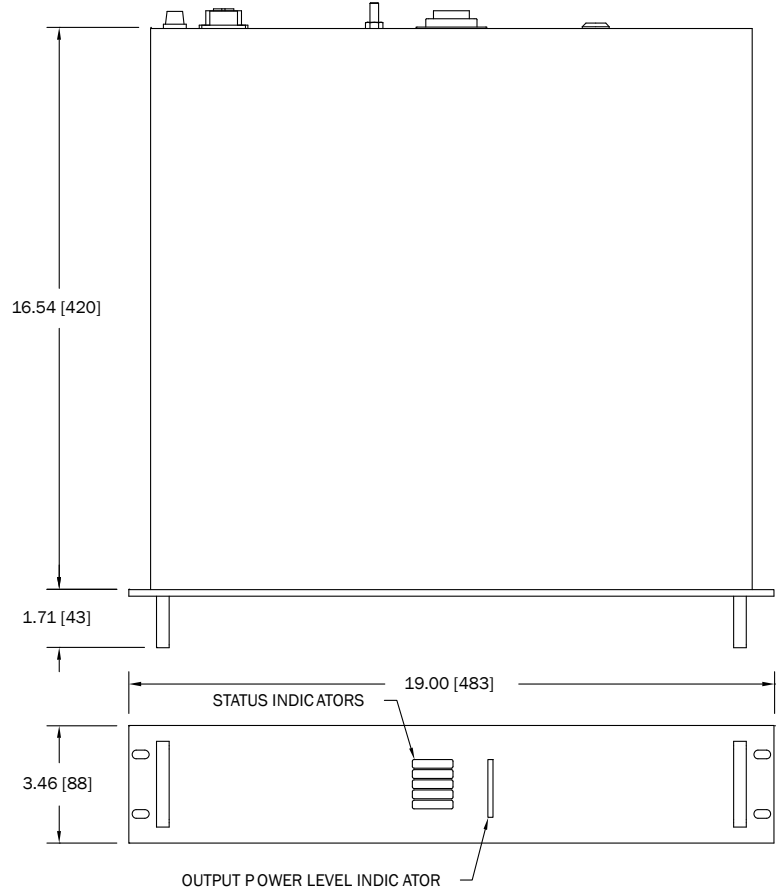
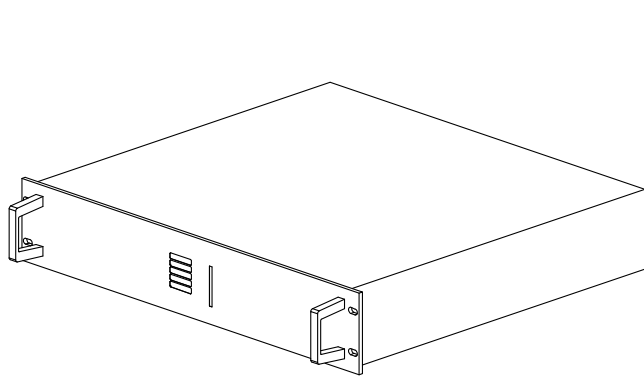
1.2kW OEM Microwave Generator, 2.45 GHz, Low Ripple



Model GA4350
Model GA4351



SYSTEM INTERCONNECT DIAGRAM



GERLING APPLIED ENGINEERING, INC.

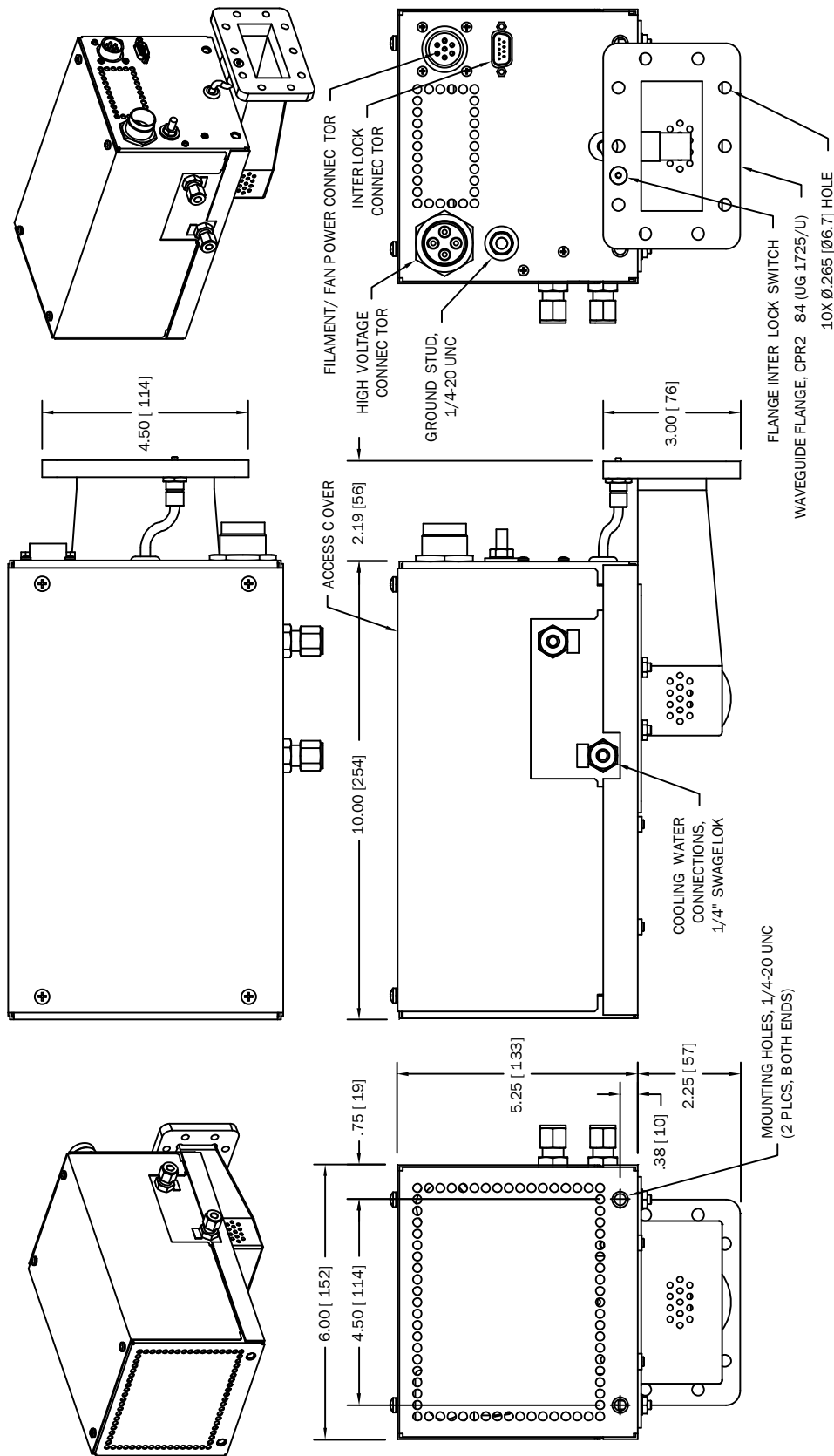
© 2015 Gerling Applied Engineering, Inc.
PO Box 580816 • Modesto, CA 95358 • USA
Phone: +1-209-527-8960 • Fax: +1-209-527-5385
E-mail: sales@2450MHz.com • Web: www.2450MHz.com

All dimensions are in inches [millimeters].

1.2kW OEM Microwave Generator, 2.45 GHz, Low Ripple

GERLING

Model GA4350
Model GA4351



CPR284 MAGNETRON HEAD (PART OF GA4350)



GERLING APPLIED
ENGINEERING, INC.

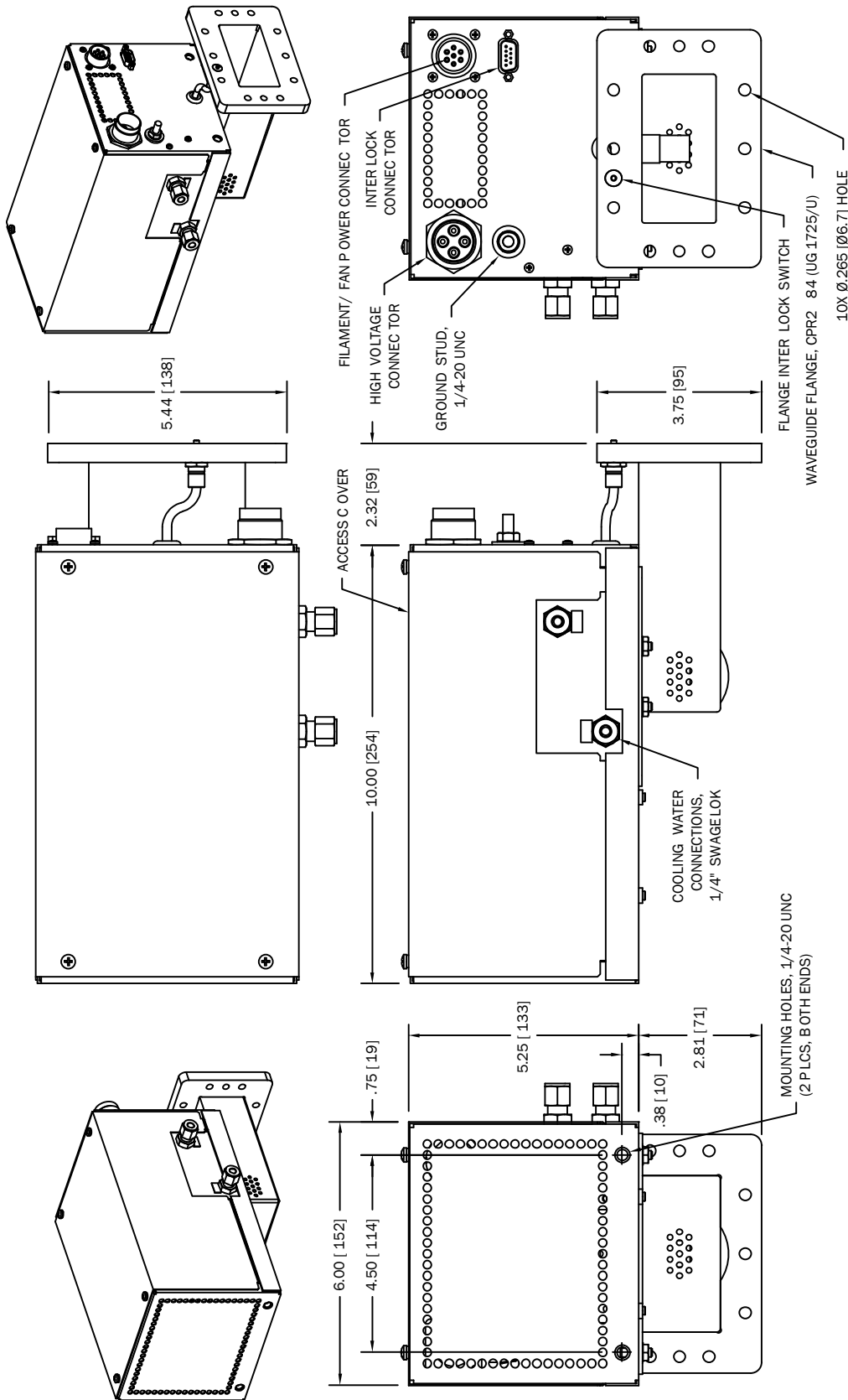
© 2015 Gerling Applied Engineering, Inc.
PO Box 580816 • Modesto, CA 95358 • USA
Phone: +1-209-527-8960 • Fax: +1-209-527-5385
E-mail: sales@2450MHz.com • Web: www.2450MHz.com

All dimensions are in inches [millimeters].

1.2kW OEM Microwave Generator, 2.45 GHz, Low Ripple

GERLING

Model GA4350
Model GA4351



WR340 MAGNETRON HEAD (PART OF GA4351)



GERLING APPLIED ENGINEERING, INC.

© 2015 Gerling Applied Engineering, Inc.
PO Box 580816 • Modesto, CA 95358 • USA
Phone: +1-209-527-8960 • Fax: +1-209-527-5385
E-mail: sales@2450MHz.com • Web: www.2450MHz.com

All dimensions are in inches [millimeters].