

Model GA8403

The unique FlangeGuard™ waveguide flange interlock switch is designed to meet rigorous safety requirements for waveguide flange connections in industrial heating systems. The basic element of the FlangeGuard™ is a mechanically operated dry-contact switch that is actuated by the mating waveguide flange.

Installation of the FlangeGuard™ requires only a tapped hole located anywhere in the flange face where sufficient clearance from adjacent bolts is available. Existing waveguide assemblies with flanges up to 1/2" thick can easily be modified to accept the FlangeGuard™ using standard tools.

The basic FlangeGuard™ has flying lead wires allowing installation of custom connectors and/or integration into a custom wire harness. Optional configurations are available for standard or custom connectors and lead lengths. Contact GAE for more information on custom configurations.

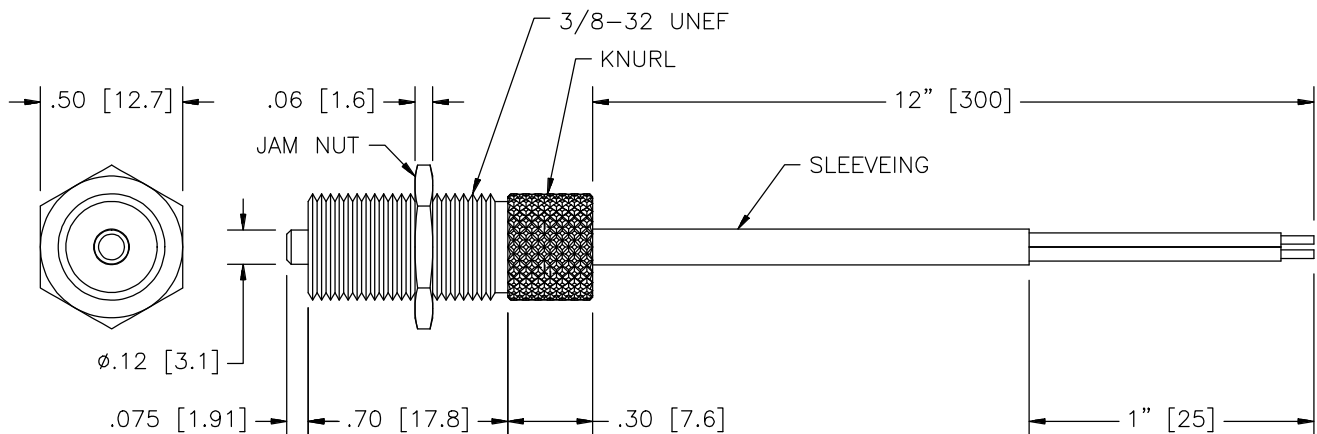


General Specifications:

Electrical	SPST, 500 mA @ 120 VAC or 28 VDC; 250 mA @ 250 VAC (switch element is UL approved)
Actuator	.075" [1.91 mm] max. overall travel; .002"-.005" [.05-.13 mm] over-travel
Connections	12" [300 mm] flying leads, 22 AWG, UL1569
Mounting Hole	3/8-32 UNEF tapped through flange
Environmental	-30°C to 65°C, 20-80% RH (non-condensing)

Options:

- ◆ Standard and custom connector
- ◆ Alternate lead length
- ◆ Integration into custom wire harness



All dimensions are in inches (mm).

Specifications subject to change without notice.

Updated 24MAR03

© 2003 Gerling Applied Engineering, Inc.
 P.O. Box 580816 • Modesto, CA 95358 • USA
 Phone: +1-209-527-8960 • Fax: +1-209-527-5385
 E-mail: GAE@2450MHz.com • Web: www.2450MHz.com