

Industrial Microwave +
Plasma Systems

MUEGGE

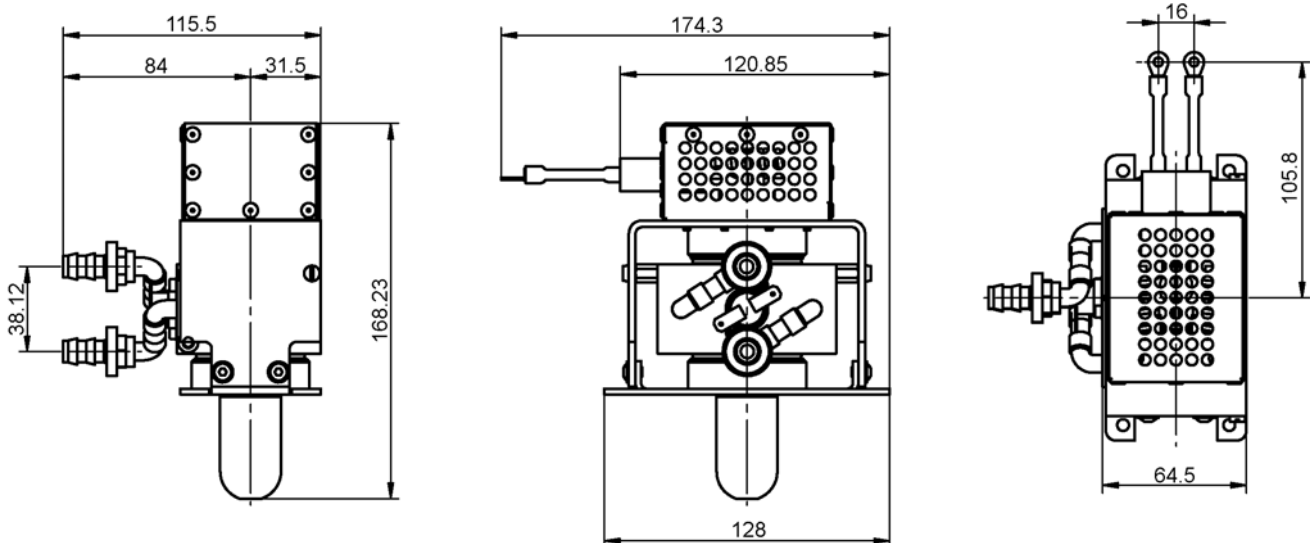
Magnetron MB2658A-170FZ

For industrial use, S-band (2450 MHz), replaces DX582A

Features:

- Replacement for Magnetron NL-DX582A
- 2.7 kW cw hf-output power max. (matched load)
- Frequency 2450 MHz (matched load)
- Water-cooled (anode block)
- Forced air-cooled (cathode filter)
- Water connections: 2 x 9 mm tube connectors
- Incl. temperature switch 80 °C (2 x 0.25" faston connectors)
- Packaged magnet

Tube Outline Dimensions (mm):



MUEGGE GMBH

Hochstraße 4-6 · 64385 Reichelsheim

Fon +49 (0) 6164 - 93 07 0 · Fax +49 (0) 6164 - 93 07 93

info@muegge.de · www.muegge.de

Magnetron MB2658A-170FZ

Industrial Microwave +
Plasma Systems



Specifications:

Characteristic	Specification	Typical
Frequency of operation:	2440 MHz - 2460 MHz	2450 MHz
Frequency variations:		+/-10 MHz
CW Power output :		2.7 kW
Anode voltage:	Max. 5 kV	4.2 – 4.5 kV
Anode current:	Max. 1600 mA peak	920 mA
Filament voltage (standby):	4.15 V – 5.05 V	4.6 V
Filament current (standby):	-	19 A
RF launch type:	Into rectangular waveguide or into oven cavity directly	
Cooling		
Water-cooled (Anode block):	3 l/min; 4 bar	Cooling water inlet temp. 20 - 25 °C
Air-cooled (Cathode filter):	Forced air	
Net weight:	Approx. 2.35 kg	

Options:

- Dip Switch Settings Label**
 Installation in certain microwave generators manufactured by MKS/ASTeX requires internal dip switch settings that are unique to each magnetron. Dip switch settings can be provided for 1.5 kW (e. g. AX-2115) or 2.5 kW (e. g. AX-2050) generators upon request.

ON

1	2	3	4	5	6
<input type="checkbox"/>	<input type="checkbox"/>	<input type="checkbox"/>	<input type="checkbox"/>	<input type="checkbox"/>	<input type="checkbox"/>

Dip switch SW1 on power generator control board should match the above setting for the proper forward power calibration. Black square represents switch position.

ANALOG INPUT (VOLTS)	3.33	6.66	10.00
ACTUAL POWER (WATTS)	_____	_____	_____
MAG S/N _____	SXRHC S/N _____		

P/N 913614