

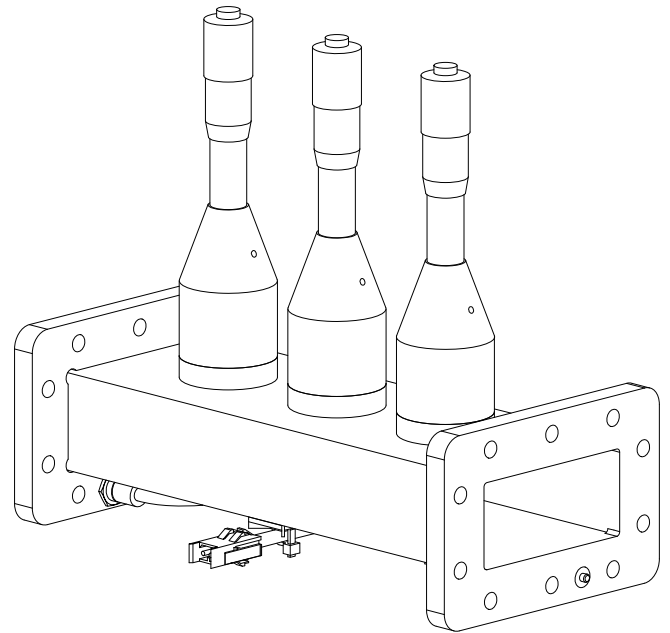
**Precision 3-Stub Tuner, CPR284
with Precision Dials**

APPROVALS			REVISIONS			
	INITIALS	DATE	REV	DESCRIPTION	DATE	APPR
Drawn	JFG	26NOV07	1	Release	26NOV07	JFG
Engineering			2	Added standard dials	24FEB09	JFG
Manufacturing						
Marketing						

1.0 General Description

The precision 3-stub tuner described in this specification is similar to other GAE standard model precision 3-stub tuners designed for high power waveguide load impedance matching. This custom version utilizes a non-contacting 1/4-wave choke stub design which allows adjustment while under high power operation. Two versions are available, one with Mitutoyo micrometer heads and one with standard multiturn dials. Both provide smooth operation and precise stub positioning.

These tuners are available with or without a flange interlock switch harness. The configuration with the Mitutoyo dials and harness (GAE p/n 912803-2) is equivalent to and a drop-in replacement for the tuner assembly used in the GaSonics L-3510 ashing system (GaSonics p/n 94-1112).

**2.0 Specifications**

Frequency	2.45 GHz
Waveguide	WR284
Flanges	CPR284F (UG1725/U)
Tuning Stubs	Non-contacting 1/4-wave choke
Stub Spacing	1/4-guide wavelength
Dial Indicators	Mitutoyo micrometer head, .001" resolution Multiturn dial (locking), .0008" resolution
Adjustment Range	Mitutoyo dial: zero to 1.00" full insertion Multiturn dial: zero to 1.25" full insertion
Interlock Connector	2-pin "MR" style
Construction	Aluminum (except micrometer heads)
Finish:	Chemical conversion coating (Alodine)

3.0 Ordering Information

<u>Description</u>	<u>GAE Part No.</u>
Precision 3-Stub Tuner, CPR284, with Mitutoyo Dials, without interlock harness	912803
Precision 3-Stub Tuner, CPR284, with Standard Dials, without interlock harness	912803-1
Precision 3-Stub Tuner, CPR284, with Mitutoyo Dials, with interlock harness	912803-2
Precision 3-Stub Tuner, CPR284, with Standard Dials, with interlock harness	912803-3
Stub Assembly, Standard Dial	910864
Stub Assembly, Mitutoyo Dial	912805

4.0 Outline Drawing

