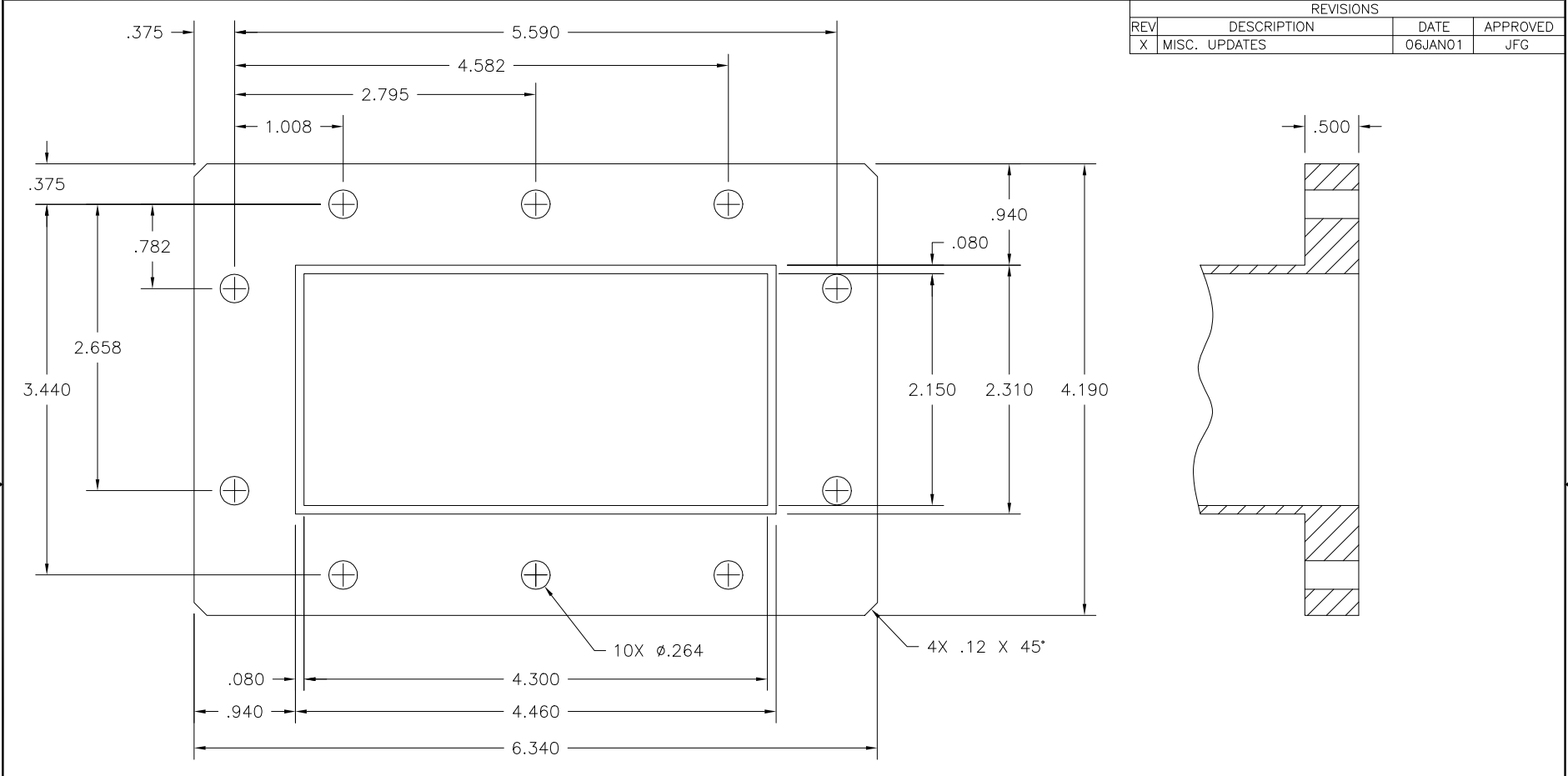


DWG NO. 910376 SH 1 REV X2

REVISIONS			
REV	DESCRIPTION	DATE	APPROVED
X	MISC. UPDATES	06JAN01	JFG



UNLESS OTHERWISE SPECIFIED: DIMENSIONS ARE IN INCHES (MM) TOLERANCES DECIMALS ANGLES .XX $\pm$ .01 $\pm$ 1/2 DEG .XXX $\pm$ .005		CONTRACT NO.	
DO NOT SCALE DRAWING		APPROVAL	DATE
MATERIAL N/A		DRAWN JFG	15JAN00
FINISH N/A		CHECKED	
		ENGR	
THIS DOCUMENT SHALL NOT BE REPRODUCED, NOR SHALL THE INFORMATION CONTAINED HEREIN BE USED BY OR DISCLOSED TO OTHERS EXCEPT AS EXPRESSLY AUTHORIZED IN WRITING BY GAE, INC.			

<b>GAE GERLING APPLIED ENGINEERING, INC.</b> P.O. BOX 580816, MODESTO, CA 95358			
WR430 FLANGE OUTLINE DRAWING			
SIZE B	DWG. NO. 910376	REV X2	
SCALE NONE	SHEET 1 OF 1		

N/A	N/A
NEXT ASSY	USED ON
APPLICATION	
	THIRD ANGLE PROJECTION